

05-4385-21-M1

V0



DRESDE Wall fixture

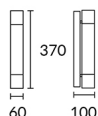
Description

Wall light for indoor use.

For frontal lighting. Timeless design. Easy instalation. IP protection, ideal for bathrooms. High durability for intensive use. Structure material: Steel. Structure finish: Chrome. Diffuser material: Polycarbonate. Diffuser finish: Opal. Warranty: 5 Years.

Finish
Chrome
Opal

Material
Steel
Polycarbonate



TECHNICAL CHARACTERISTICS

Light source

Lampholder: 0 x 2G11
Output (W): MAX 18W
Total power consumption (W): 20
Real Lumen: 656
Lm/Real W: 33
UGR: 13.9

GEAR

Brand: 3AAA
Gear included: Yes, electronic
Power Factor: 0.52

Luminaire

Warranty: 5 Years

Logistics

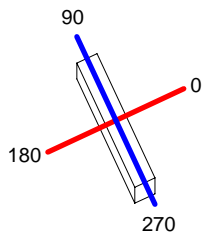
Energy Efficiency: NO BULB
EAN Code: 8435111081013
Net Weight (Kg): 0.990
Weight in Kg (packaged): 1.054
Packing: 430 x 110 x 150
Masterbox: 6

The photograph may not match the reference exactly. Please read the product description to identify the finish.

| | | | | | | |
|----------------------------|-------------------------|-----------------------------|--------------------|--------------------|----------------|--------|
| Luminaire | | Measur. | | Lamp | | |
| Code | 05-4385-21-M1 | Code | 05-4385-21-M1 | Code | PL-L18W/830/4P | |
| Name | Aplique 1x18W PL-L 2G11 | Name | Aplique 1x18W 2G11 | Number | 1 | |
| Line | - LEDS-C4 | Date | 28-08-2013 | Position | Univesal | |
| Efficiency | 54.67% | Coordinate system | CG | Total Flux | 1200.00 lm | |
| Maximum value | 103.91 cd | Position | C=0.00 G=45.00 | Double Symmetrical | | |
| Rectangular Luminaire | Length | 370 mm | Width | 60 mm | Height | 100 mm |
| Rectangular Luminous Area | Length | 250 mm | Width | 60 mm | Height | 60 mm |
| Horizontal Luminous Area | 0.015000 m2 | Emitting area on Plane 180° | | 0.015000 m2 | | |
| Emitting area on Plane 0° | 0.015000 m2 | Emitting area on Plane 270° | | 0.003600 m2 | | |
| Emitting area on Plane 90° | 0.003600 m2 | Glare area at 76° | | 0.018183 m2 | | |
| Symmetry Type | Double Symmetrical | Maximum Gamma Angle | | 180 | | |
| Measurement Distance | 6.44 | Measurement Flux | | 1200.00 lm | | |
| Operator | Asselum | Source voltage | | 230.00 V | | |
| Temperature | 22.00 °C | Source current | | PRC | | |
| Humidity | 50.00 % | Photocell | | | | |
| Notes | | | | | | |

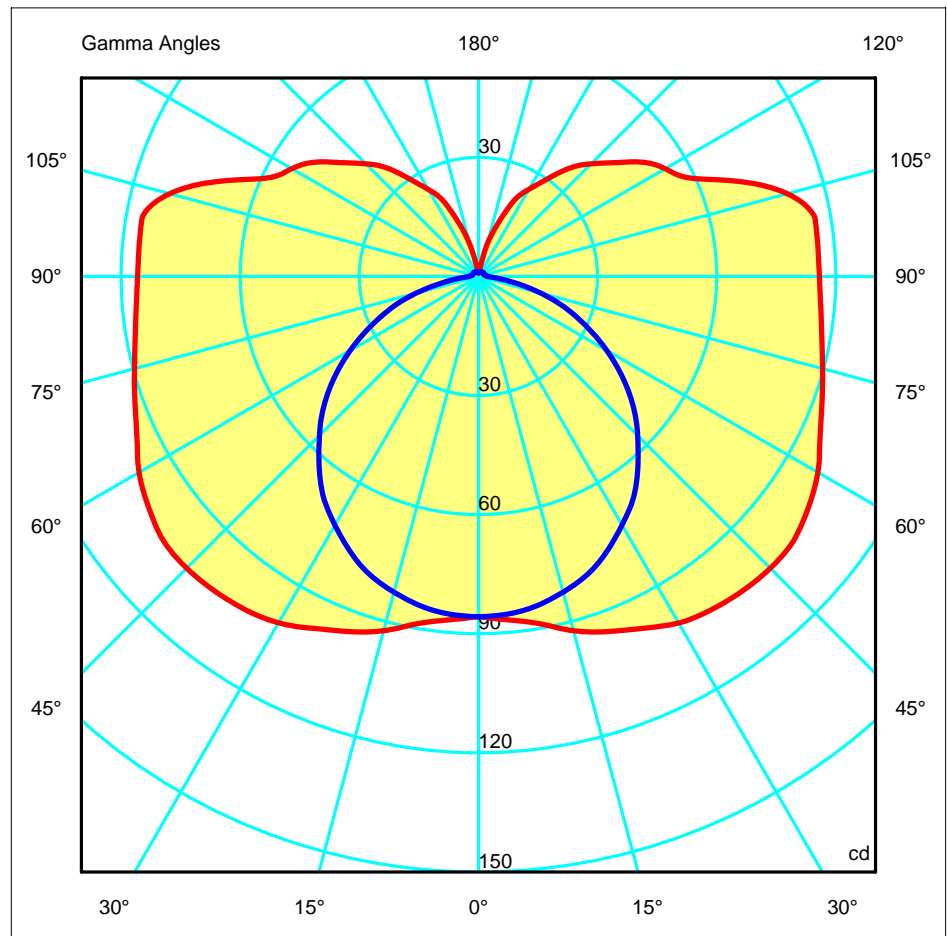
| Luminaire Lamps | | | | | |
|--------------------------------|-----------------|-----------------------------|-----------|----------|------|
| Line | Code | Name | Flux [lm] | Pow. [W] | Q.ty |
| PHILIPS 2005 ILCOS FBT,G,C,FSQ | PL-L18W/830/4P | MASTER PL-L 18W/830/4P 2G11 | 1200.00 | 18.00 | 1 |
| C.I.E. | 30 58 81 69 55 | D DIN 5040 | | B11 | |
| F UTE | 0.38 H + 0.17 T | B NBN | | BZ 7 | |

370mm x 60mm



C Halfplanes
 180.0 — 0.0
 270.0 — 90.0

ULOR 16.93 %
 DLOR 37.73 %
 RN 30.98 %

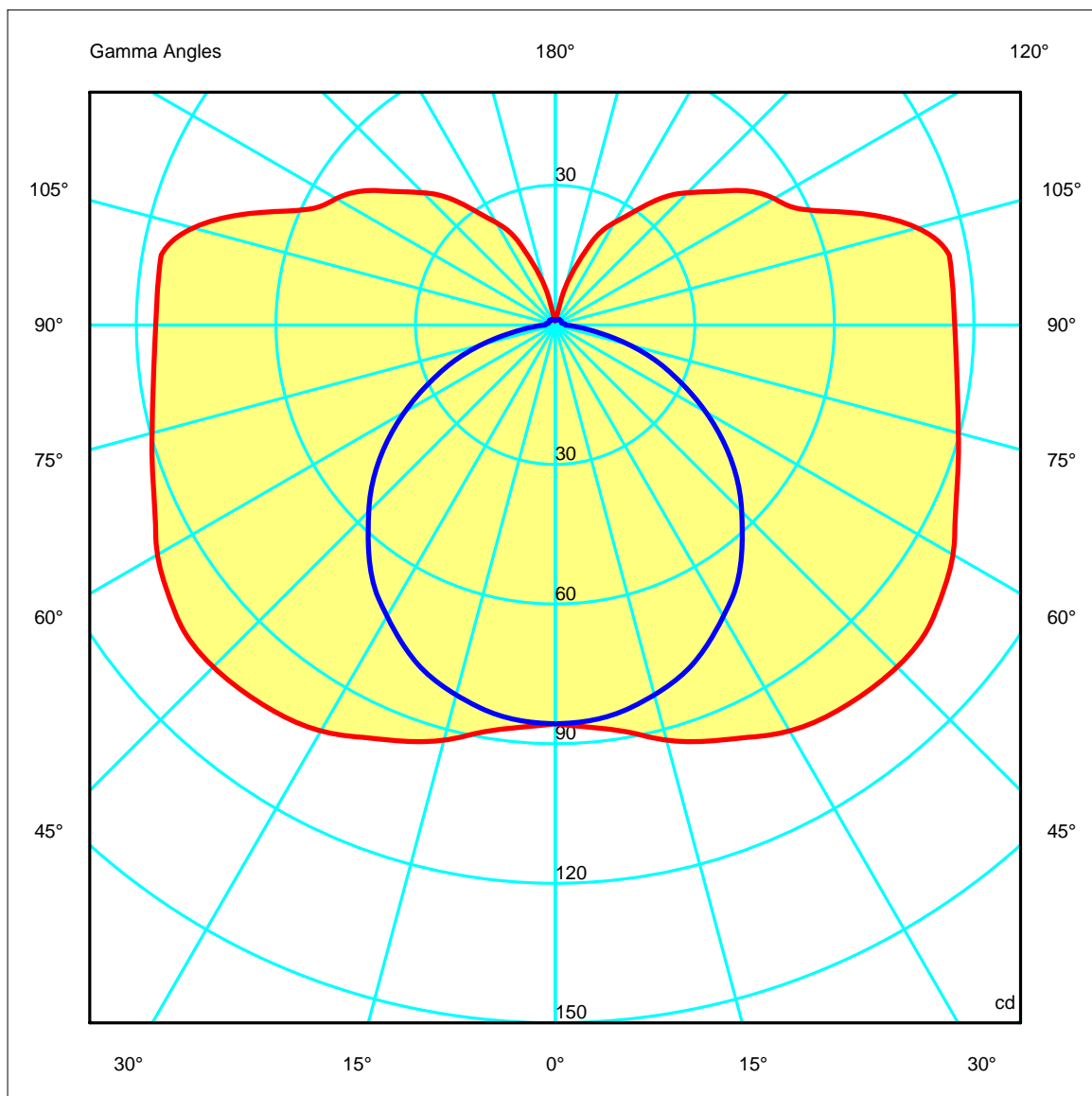
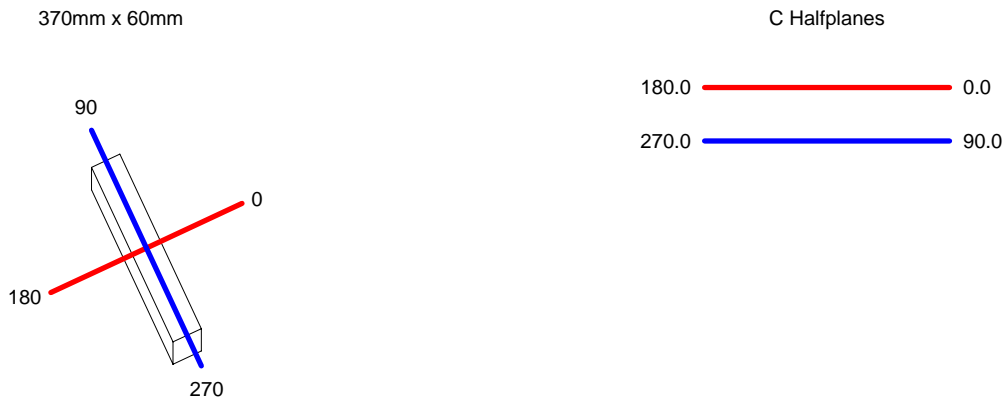


| | | | | | |
|------------------|-------------------------|----------------|--------------------|-------------|----------------|
| Luminaire | | Measur. | | Lamp | |
| Code | 05-4385-21-M1 | Code | 05-4385-21-M1 | Code | PL-L18W/830/4P |
| Name | Aplique 1x18W PL-L 2G11 | Name | Aplique 1x18W 2G11 | Number | 1 |
| Line | - LEDS-C4 | Date | 28-08-2013 | Position | Univesal |

| | | | | | |
|------------|--------|-------------------|----|------------|------------|
| Efficiency | 54.67% | Coordinate system | CG | Total Flux | 1200.00 lm |
|------------|--------|-------------------|----|------------|------------|

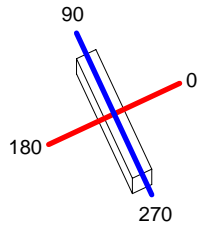
| | Luminous Intensity Table cd | | | | Table 1/1 | | | |
|--------|-----------------------------|---------|---------|---------|-----------|---------|---------|--|
| | C 0.00 | C 15.00 | C 30.00 | C 45.00 | C 60.00 | C 75.00 | C 90.00 | |
| G 0.0 | 85.70 | 85.70 | 85.70 | 85.70 | 85.70 | 85.70 | 85.70 | |
| G 5.0 | 86.79 | 86.83 | 86.58 | 86.20 | 85.70 | 85.43 | 85.35 | |
| G 10.0 | 88.81 | 89.40 | 88.75 | 87.29 | 85.87 | 84.57 | 84.23 | |
| G 15.0 | 92.37 | 92.40 | 90.70 | 88.32 | 85.73 | 83.25 | 82.29 | |
| G 20.0 | 95.19 | 95.09 | 92.77 | 89.25 | 85.21 | 81.55 | 79.94 | |
| G 25.0 | 97.78 | 97.53 | 94.33 | 89.57 | 84.11 | 78.90 | 76.46 | |
| G 30.0 | 100.77 | 99.57 | 95.59 | 89.53 | 82.54 | 75.81 | 72.28 | |
| G 35.0 | 102.40 | 100.91 | 96.25 | 88.93 | 80.59 | 72.56 | 68.03 | |
| G 40.0 | 103.41 | 101.49 | 96.16 | 87.92 | 78.03 | 68.54 | 62.42 | |
| G 45.0 | 103.91 | 101.38 | 95.47 | 86.37 | 74.92 | 63.55 | 56.67 | |
| G 50.0 | 103.55 | 100.46 | 94.07 | 83.70 | 71.50 | 58.52 | 50.92 | |
| G 55.0 | 101.40 | 97.95 | 91.78 | 80.94 | 67.57 | 53.17 | 44.22 | |
| G 60.0 | 98.71 | 94.88 | 88.07 | 77.67 | 62.86 | 47.17 | 37.43 | |
| G 65.0 | 94.92 | 91.35 | 84.30 | 73.40 | 58.17 | 41.31 | 30.16 | |
| G 70.0 | 92.10 | 88.34 | 80.47 | 68.26 | 52.89 | 35.44 | 23.56 | |
| G 75.0 | 89.68 | 86.02 | 77.21 | 64.38 | 47.39 | 29.09 | 16.40 | |
| G 80.0 | 87.81 | 84.29 | 75.37 | 61.45 | 43.05 | 23.77 | 9.43 | |
| G 85.0 | 86.51 | 83.13 | 74.03 | 59.24 | 40.40 | 19.76 | 4.81 | |
| G 90.0 | 85.81 | 82.47 | 73.37 | 58.43 | 39.02 | 17.02 | 2.15 | |
| G 95.0 | 85.79 | 82.48 | 73.38 | 58.46 | 39.05 | 16.67 | 2.11 | |
| G100.0 | 85.99 | 80.86 | 73.44 | 58.65 | 38.95 | 16.06 | 1.72 | |
| G105.0 | 80.54 | 72.61 | 69.27 | 56.37 | 36.43 | 14.90 | 1.53 | |
| G110.0 | 69.98 | 60.20 | 59.79 | 51.32 | 33.26 | 13.86 | 1.49 | |
| G115.0 | 58.73 | 51.44 | 49.96 | 43.92 | 29.66 | 12.79 | 1.51 | |
| G120.0 | 54.31 | 46.85 | 43.09 | 37.28 | 25.76 | 11.50 | 1.54 | |
| G125.0 | 50.23 | 43.51 | 37.43 | 31.86 | 21.75 | 9.95 | 1.51 | |
| G130.0 | 44.60 | 39.13 | 33.38 | 27.20 | 18.34 | 8.61 | 1.49 | |
| G135.0 | 40.19 | 35.33 | 29.69 | 22.94 | 15.54 | 7.34 | 1.46 | |
| G140.0 | 35.61 | 31.37 | 26.05 | 20.12 | 13.03 | 6.09 | 1.41 | |
| G145.0 | 29.84 | 26.58 | 22.76 | 17.54 | 10.55 | 4.90 | 1.39 | |
| G150.0 | 25.39 | 22.66 | 18.98 | 13.50 | 8.05 | 3.87 | 1.33 | |
| G155.0 | 21.01 | 18.07 | 14.75 | 9.43 | 5.71 | 2.90 | 1.29 | |
| G160.0 | 14.00 | 11.16 | 8.09 | 6.06 | 3.91 | 2.20 | 1.19 | |
| G165.0 | 8.37 | 5.70 | 4.12 | 3.50 | 2.73 | 1.67 | 1.13 | |
| G170.0 | 1.56 | 2.25 | 2.28 | 2.23 | 1.69 | 1.34 | 1.13 | |
| G175.0 | 0.88 | 0.97 | 1.12 | 1.36 | 1.16 | 1.18 | 1.13 | |
| G180.0 | 0.89 | 0.89 | 0.95 | 1.01 | 1.07 | 1.12 | 1.15 | |

| | | | | | |
|------------------|-------------------------|-------------------|--------------------|-------------|----------------|
| Luminaire | | Measur. | | Lamp | |
| Code | 05-4385-21-M1 | Code | 05-4385-21-M1 | Code | PL-L18W/830/4P |
| Name | Aplique 1x18W PL-L 2G11 | Name | Aplique 1x18W 2G11 | Number | 1 |
| Line | - LEDS-C4 | Date | 28-08-2013 | Position | Univesal |
| Efficiency | 54.67% | Coordinate system | CG | Total Flux | 1200.00 lm |



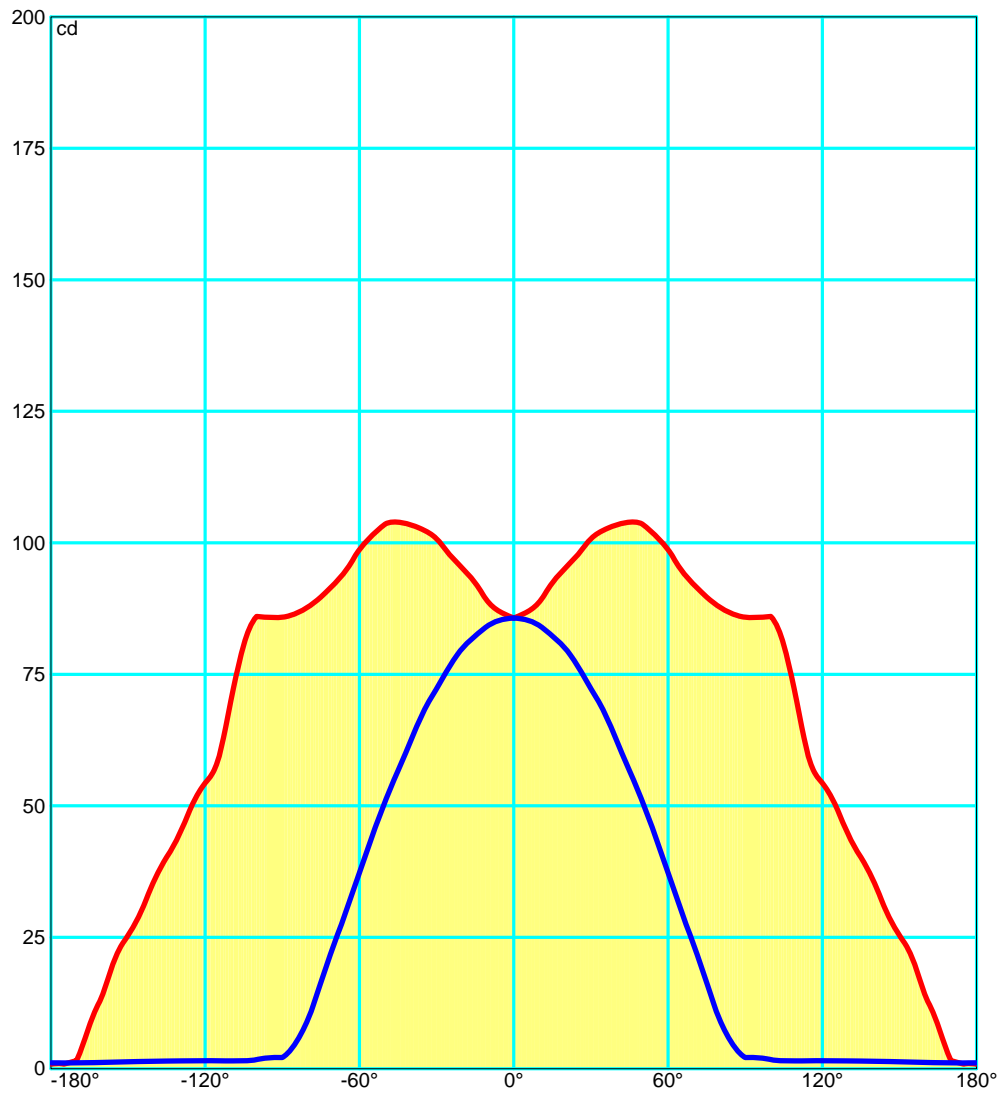
| Luminaire | | Measur. | | Lamp | |
|------------|-------------------------|-------------------|--------------------|------------|----------------|
| Code | 05-4385-21-M1 | Code | 05-4385-21-M1 | Code | PL-L18W/830/4P |
| Name | Aplique 1x18W PL-L 2G11 | Name | Aplique 1x18W 2G11 | Number | 1 |
| Line | - LEDS-C4 | Date | 28-08-2013 | Position | Univesal |
| Efficiency | 54.67% | Coordinate system | CG | Total Flux | 1200.00 lm |

370mm x 60mm



C Halfplanes

180.0 ——— 0.0
270.0 ——— 90.0



| | | | | | |
|------------------|-------------------------|-------------------|--------------------|-------------|----------------|
| Luminaire | | Measur. | | Lamp | |
| Code | 05-4385-21-M1 | Code | 05-4385-21-M1 | Code | PL-L18W/830/4P |
| Name | Aplique 1x18W PL-L 2G11 | Name | Aplique 1x18W 2G11 | Number | 1 |
| Line | - LEDS-C4 | Date | 28-08-2013 | Position | Univesal |
| Efficiency | 54.67% | Coordinate system | CG | Total Flux | 1200.00 lm |

UGR
S = 0.250

| Reflectancies | | | | | | | | | | |
|----------------|-----------------|------|------|------|------|---------------|------|------|------|------|
| Ceiling/Cavity | 0.7 | 0.7 | 0.5 | 0.5 | 0.3 | 0.7 | 0.7 | 0.5 | 0.5 | 0.3 |
| Walls | 0.5 | 0.3 | 0.5 | 0.3 | 0.3 | 0.5 | 0.3 | 0.5 | 0.3 | 0.3 |
| WorkingPlane | 0.2 | 0.2 | 0.2 | 0.2 | 0.2 | 0.2 | 0.2 | 0.2 | 0.2 | 0.2 |
| RoomDimensions | ViewedCrosswise | | | | | ViewedEndwise | | | | |
| x=2H y=2H | 16.5 | 17.6 | 17.2 | 18.3 | 16.6 | 13.9 | 15.0 | 14.6 | 15.7 | 16.6 |
| x=2H y=3H | 18.9 | 20.0 | 19.6 | 20.7 | 18.0 | 15.3 | 16.3 | 16.0 | 17.1 | 18.0 |
| x=2H y=4H | 20.2 | 21.2 | 20.9 | 21.9 | 18.4 | 15.8 | 16.8 | 16.6 | 17.6 | 18.4 |
| x=2H y=6H | 21.5 | 22.4 | 22.3 | 23.2 | 18.8 | 16.2 | 17.1 | 16.9 | 17.8 | 18.8 |
| x=2H y=8H | 22.2 | 23.0 | 22.9 | 23.8 | 18.8 | 16.3 | 17.1 | 17.0 | 17.9 | 18.8 |
| x=2H y=12H | 22.8 | 23.6 | 23.6 | 24.4 | 18.9 | 16.3 | 17.1 | 17.1 | 17.9 | 18.9 |
| x=4H y=2H | 17.1 | 18.0 | 17.8 | 18.8 | 17.9 | 15.3 | 16.3 | 16.0 | 17.0 | 17.9 |
| x=4H y=3H | 19.7 | 20.6 | 20.5 | 21.4 | 19.6 | 17.0 | 17.8 | 17.8 | 18.6 | 19.6 |
| x=4H y=4H | 21.2 | 21.9 | 22.0 | 22.7 | 20.2 | 17.7 | 18.4 | 18.5 | 19.2 | 20.2 |
| x=4H y=6H | 22.7 | 23.4 | 23.5 | 24.2 | 20.7 | 18.2 | 18.9 | 19.0 | 19.7 | 20.7 |
| x=4H y=8H | 23.4 | 24.1 | 24.3 | 24.9 | 20.8 | 18.3 | 19.0 | 19.2 | 19.8 | 20.8 |
| x=4H y=12H | 24.2 | 24.8 | 25.1 | 25.6 | 20.9 | 18.5 | 19.0 | 19.3 | 19.9 | 20.9 |
| x=8H y=4H | 21.5 | 22.1 | 22.3 | 23.0 | 21.2 | 18.8 | 19.4 | 19.6 | 20.2 | 21.2 |
| x=8H y=6H | 23.3 | 23.8 | 24.1 | 24.7 | 22.1 | 19.6 | 20.1 | 20.5 | 21.0 | 22.1 |
| x=8H y=8H | 24.2 | 24.7 | 25.1 | 25.5 | 22.4 | 20.0 | 20.4 | 20.8 | 21.3 | 22.4 |
| x=8H y=12H | 25.2 | 25.6 | 26.0 | 26.5 | 22.6 | 20.2 | 20.6 | 21.1 | 21.5 | 22.6 |
| x=12H y=4H | 21.5 | 22.1 | 22.4 | 23.0 | 21.5 | 19.0 | 19.6 | 19.9 | 20.5 | 21.5 |
| x=12H y=6H | 23.4 | 23.8 | 24.2 | 24.7 | 22.5 | 20.1 | 20.6 | 21.0 | 21.4 | 22.5 |
| x=12H y=8H | 24.4 | 24.8 | 25.3 | 25.7 | 23.0 | 20.6 | 21.0 | 21.5 | 21.9 | 23.0 |

| | | | | | |
|------------------|-------------------------|-------------------|--------------------|-------------|----------------|
| Luminaire | | Measur. | | Lamp | |
| Code | 05-4385-21-M1 | Code | 05-4385-21-M1 | Code | PL-L18W/830/4P |
| Name | Aplique 1x18W PL-L 2G11 | Name | Aplique 1x18W 2G11 | Number | 1 |
| Line | - LEDS-C4 | Date | 28-08-2013 | Position | Univesal |
| Efficiency | 54.67% | Coordinate system | CG | Total Flux | 1200.00 lm |

Total Flux=1200.00 Luminaire Flux=655.99

| | | | | | | | | | | | | |
|-----|------|------|------|------|------|------|------|------|------|------|-------|-------|
| RI | 0.60 | 0.80 | 1.00 | 1.25 | 1.50 | 2.00 | 2.50 | 3.00 | 4.00 | 5.00 | 10.00 | 20.00 |
| DRR | 0.19 | 0.26 | 0.32 | 0.38 | 0.43 | 0.52 | 0.58 | 0.62 | 0.69 | 0.73 | 0.83 | 0.90 |
| RC | 8 | 8 | 8 | 8 | 8 | 8 | 8 | 8 | 8 | 8 | 8 | 8 |

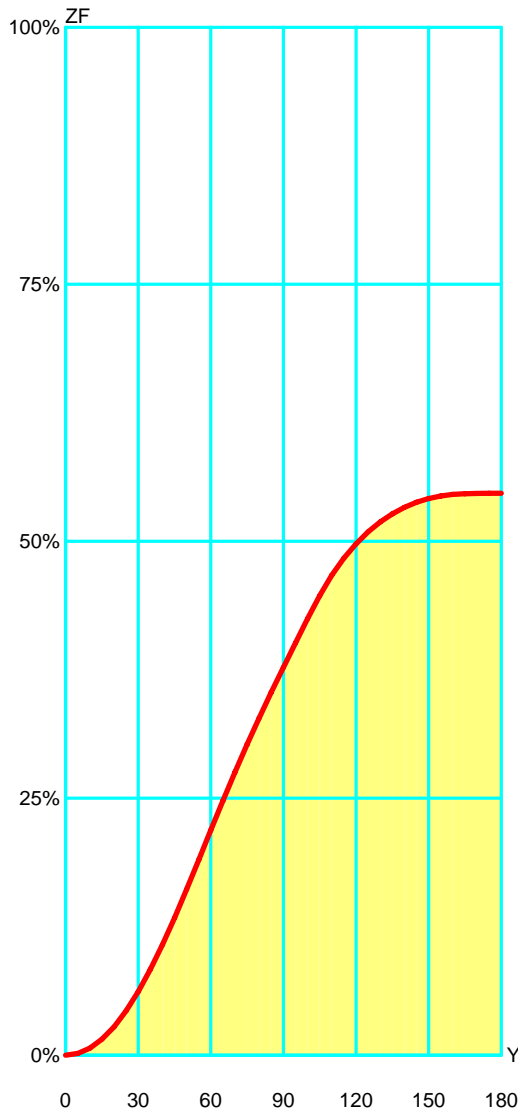
Zonal Flux per 1000 Lumen

| | | | | | | | | | | | | | | | | | | |
|-------|----|----|----|-----|-----|-----|-----|-----|-----|-----|-----|-----|-----|-----|-----|-----|-----|-----|
| Y° | 10 | 20 | 30 | 40 | 50 | 60 | 70 | 80 | 90 | 100 | 110 | 120 | 130 | 140 | 150 | 160 | 170 | 180 |
| ZF(Y) | 7 | 28 | 62 | 107 | 161 | 219 | 276 | 328 | 377 | 425 | 467 | 497 | 519 | 533 | 542 | 546 | 547 | 547 |

CIE Flux Codes

30 58 81 69 55

| | | | |
|------------|-----------------|------|------------|
| C.I.E. | 8 | LOR | 54.66544 % |
| D DIN 5040 | B11 | ULOR | 16.93397 % |
| F UTE | 0.38 H + 0.17 T | DLOR | 37.73146 % |
| B NBN | BZ 7 | UFF | 30.97748 % |
| RN | 30.97748 % | DFF | 69.02252 % |
| BLF | 1.0 | FFR | 44.88025 % |



| Zonal Flux | | | | |
|------------|-------|--------|----------|---------|
| Gamma ° | Flux | Sum lm | Flux [%] | Sum [%] |
| 0° | 0.00 | 0.00 | 0.00% | 0.00% |
| 5° | 1.71 | 1.71 | 0.31% | 0.31% |
| 10° | 5.16 | 6.88 | 0.94% | 1.26% |
| 15° | 8.65 | 15.53 | 1.58% | 2.84% |
| 20° | 12.12 | 27.65 | 2.22% | 5.06% |
| 25° | 15.48 | 43.14 | 2.83% | 7.89% |
| 30° | 18.65 | 61.79 | 3.41% | 11.30% |
| 35° | 21.56 | 83.34 | 3.94% | 15.25% |
| 40° | 24.09 | 107.43 | 4.41% | 19.65% |
| 45° | 26.15 | 133.59 | 4.78% | 24.44% |
| 50° | 27.71 | 161.30 | 5.07% | 29.51% |
| 55° | 28.68 | 189.98 | 5.25% | 34.75% |
| 60° | 28.99 | 218.97 | 5.30% | 40.06% |
| 65° | 28.69 | 247.66 | 5.25% | 45.30% |
| 70° | 27.93 | 275.59 | 5.11% | 50.41% |
| 75° | 26.88 | 302.47 | 4.92% | 55.33% |
| 80° | 25.78 | 328.25 | 4.72% | 60.05% |
| 85° | 24.86 | 353.11 | 4.55% | 64.59% |
| 90° | 24.21 | 377.31 | 4.43% | 69.02% |
| 95° | 23.89 | 401.21 | 4.37% | 73.39% |
| 100° | 23.62 | 424.83 | 4.32% | 77.71% |
| 105° | 22.39 | 447.21 | 4.10% | 81.81% |
| 110° | 19.78 | 466.99 | 3.62% | 85.43% |
| 115° | 16.60 | 483.59 | 3.04% | 88.46% |
| 120° | 13.85 | 497.45 | 2.53% | 91.00% |
| 125° | 11.65 | 509.09 | 2.13% | 93.13% |
| 130° | 9.67 | 518.76 | 1.77% | 94.90% |
| 135° | 7.90 | 526.65 | 1.44% | 96.34% |
| 140° | 6.35 | 533.00 | 1.16% | 97.50% |
| 145° | 4.94 | 537.94 | 0.90% | 98.41% |
| 150° | 3.65 | 541.59 | 0.67% | 99.07% |
| 155° | 2.50 | 544.09 | 0.46% | 99.53% |
| 160° | 1.47 | 545.56 | 0.27% | 99.80% |
| 165° | 0.70 | 546.27 | 0.13% | 99.93% |
| 170° | 0.28 | 546.54 | 0.05% | 99.98% |
| 175° | 0.09 | 546.63 | 0.02% | 100.00% |
| 180° | 0.02 | 546.65 | 0.00% | 100.00% |

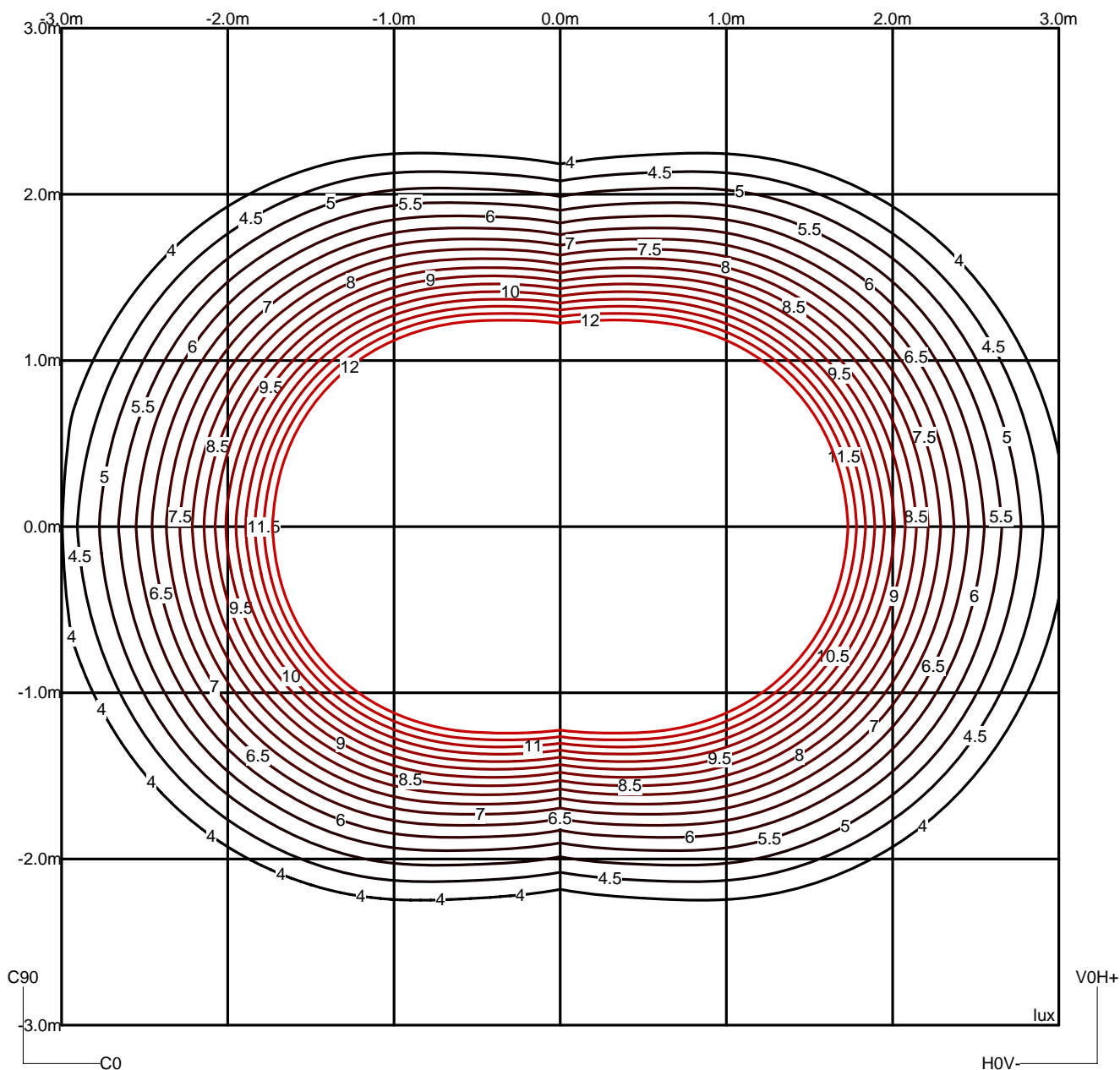
| | | | | | |
|------------------|-------------------------|-------------------|--------------------|-------------|----------------|
| Luminaire | | Measur. | | Lamp | |
| Code | 05-4385-21-M1 | Code | 05-4385-21-M1 | Code | PL-L18W/830/4P |
| Name | Aplique 1x18W PL-L 2G11 | Name | Aplique 1x18W 2G11 | Number | 1 |
| Line | - LEDS-C4 | Date | 28-08-2013 | Position | Univesal |
| <hr/> | | <hr/> | | <hr/> | |
| Efficiency | 54.67% | Coordinate system | CG | Total Flux | 1200.00 lm |
| <hr/> | | <hr/> | | <hr/> | |

Right beam angle not found, gamma = 47

| | | | | | |
|------------------|-------------------------|-------------------|--------------------|-------------|----------------|
| Luminaire | | Measuram. | | Lamp | |
| Code | 05-4385-21-M1 | Code | 05-4385-21-M1 | Code | PL-L18W/830/4P |
| Name | Aplique 1x18W PL-L 2G11 | Name | Aplique 1x18W 2G11 | Number | 1 |
| Line | - LEDS-C4 | Date | 28-08-2013 | Position | Univesal |
| Efficiency | 54.67% | Coordinate system | CG | Total Flux | 1200.00 lm |

Isolux (Floor)

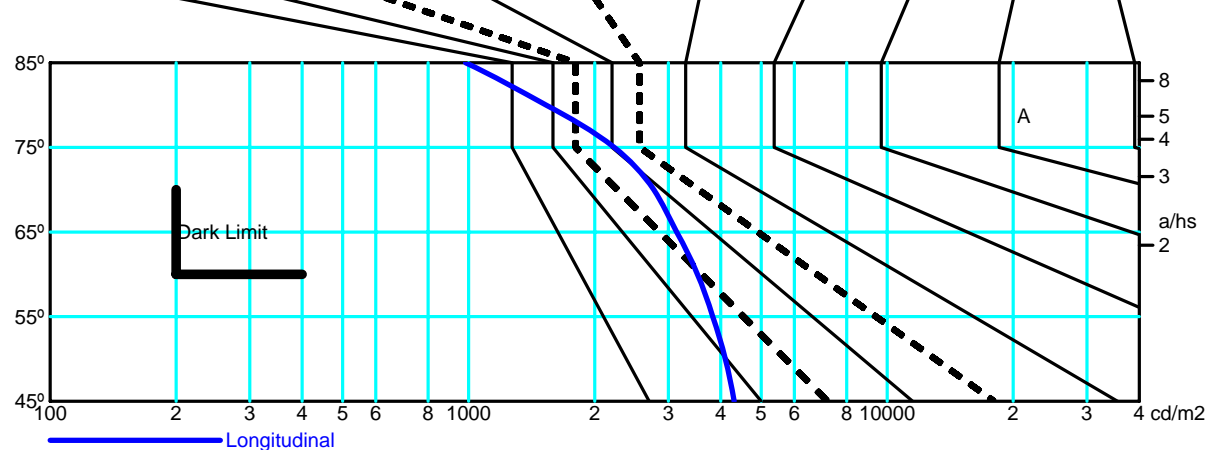
Luminaire position X=0.00m Y=0.00m Z=1.80m



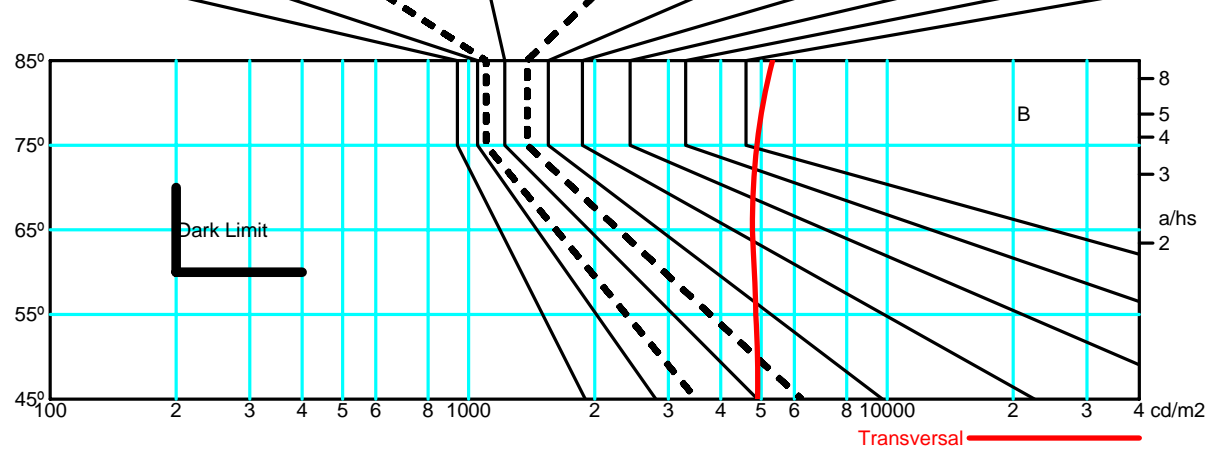
| | | | | | |
|------------------|-------------------------|-------------------|--------------------|-------------|----------------|
| Luminaire | | Measur. | | Lamp | |
| Code | 05-4385-21-M1 | Code | 05-4385-21-M1 | Code | PL-L18W/830/4P |
| Name | Aplique 1x18W PL-L 2G11 | Name | Aplique 1x18W 2G11 | Number | 1 |
| Line | - LEDS-C4 | Date | 28-08-2013 | Position | Univesal |
| Efficiency | 54.67% | Coordinate system | CG | Total Flux | 1200.00 lm |

| Average Luminance [cd/m ²] | | | | | | | | | | |
|--|-------|------|------|------|------|------|------|------|------|------|
| | 0.0° | 45° | 50° | 55° | 60° | 65° | 70° | 75° | 80° | 85° |
| | 90.0° | 4898 | 4900 | 4854 | 4817 | 4762 | 4790 | 4881 | 5053 | 5324 |
| | | 4309 | 4107 | 3828 | 3525 | 3141 | 2768 | 2228 | 1533 | 983 |

| Flush mounted or longitudinal view | | | | | | | | | | | | |
|------------------------------------|---|------|------|------|------|------|------|------|------|------|------|------|
| Illumination(lx) | | | | | | | | | | | | |
| A | A | 2000 | 1000 | 750 | 500 | <300 | | | | | 1.15 | |
| B | 1 | | 2000 | 1500 | 1000 | 750 | 500 | <300 | | | 1.5 | |
| C | | | | | 2000 | | 1000 | 500 | <300 | | 1.85 | |
| D | 2 | | | | | | 2000 | 1000 | 500 | <300 | 2.2 | |
| E | 3 | | | | | | | 2000 | 1000 | 500 | <300 | 2.55 |

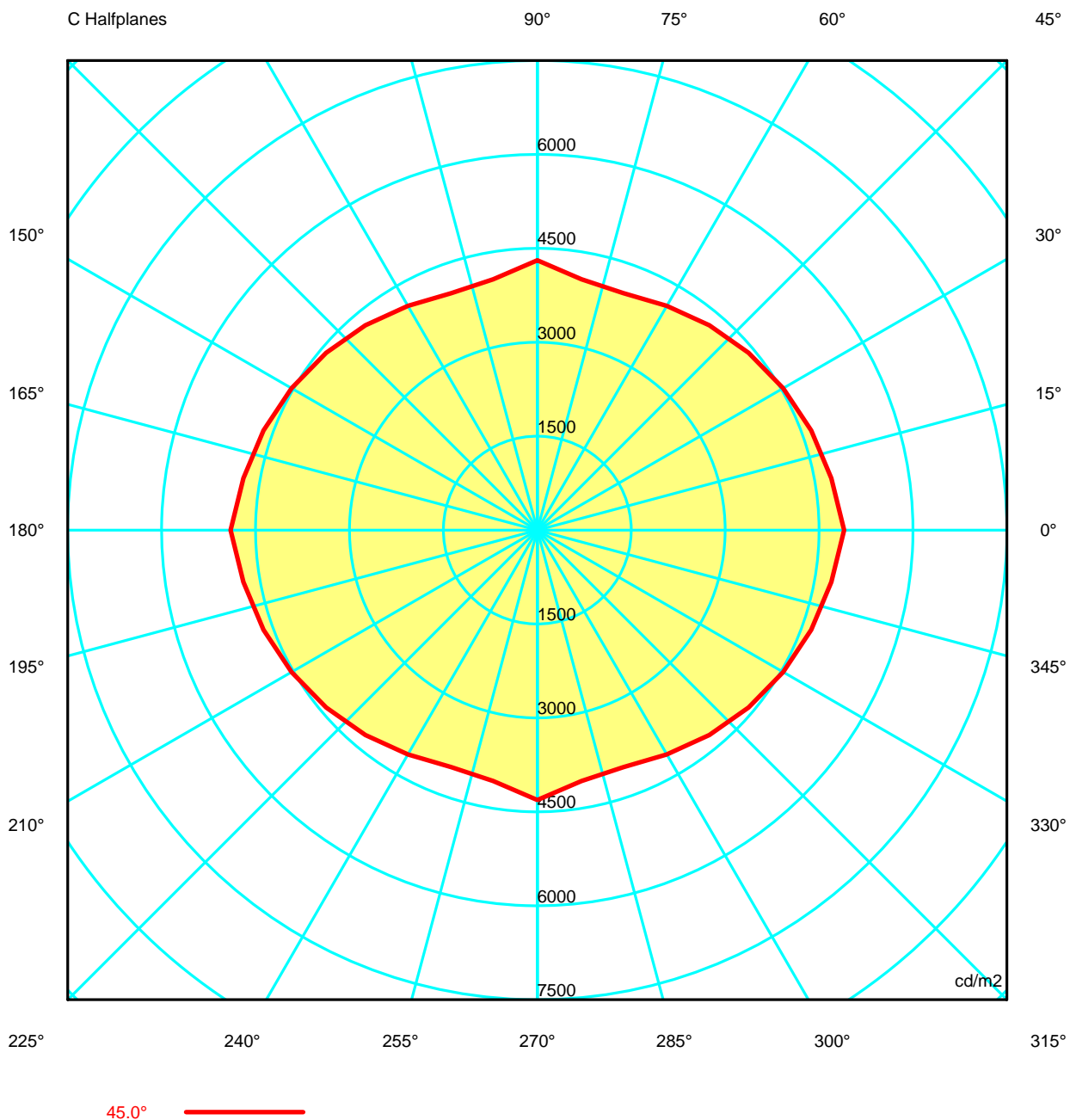


| Flush mounted or transversal view | | | | | | | | | | | | |
|-----------------------------------|---|------|------|------|------|------|------|------|------|------|------|------|
| Illumination(lx) | | | | | | | | | | | | |
| A | A | 2000 | 1000 | 750 | 500 | <300 | | | | | 1.15 | |
| B | 1 | | 2000 | 1500 | 1000 | 750 | 500 | <300 | | | 1.5 | |
| C | | | | | 2000 | | 1000 | 500 | <300 | | 1.85 | |
| D | 2 | | | | | | 2000 | 1000 | 500 | <300 | 2.2 | |
| E | 3 | | | | | | | 2000 | 1000 | 500 | <300 | 2.55 |



| | | | | | |
|------------------|-------------------------|-------------------|--------------------|-------------|----------------|
| Luminaire | | Measur. | | Lamp | |
| Code | 05-4385-21-M1 | Code | 05-4385-21-M1 | Code | PL-L18W/830/4P |
| Name | Aplique 1x18W PL-L 2G11 | Name | Aplique 1x18W 2G11 | Number | 1 |
| Line | - LEDS-C4 | Date | 28-08-2013 | Position | Univesal |
| Efficiency | 54.67% | Coordinate system | CG | Total Flux | 1200.00 lm |

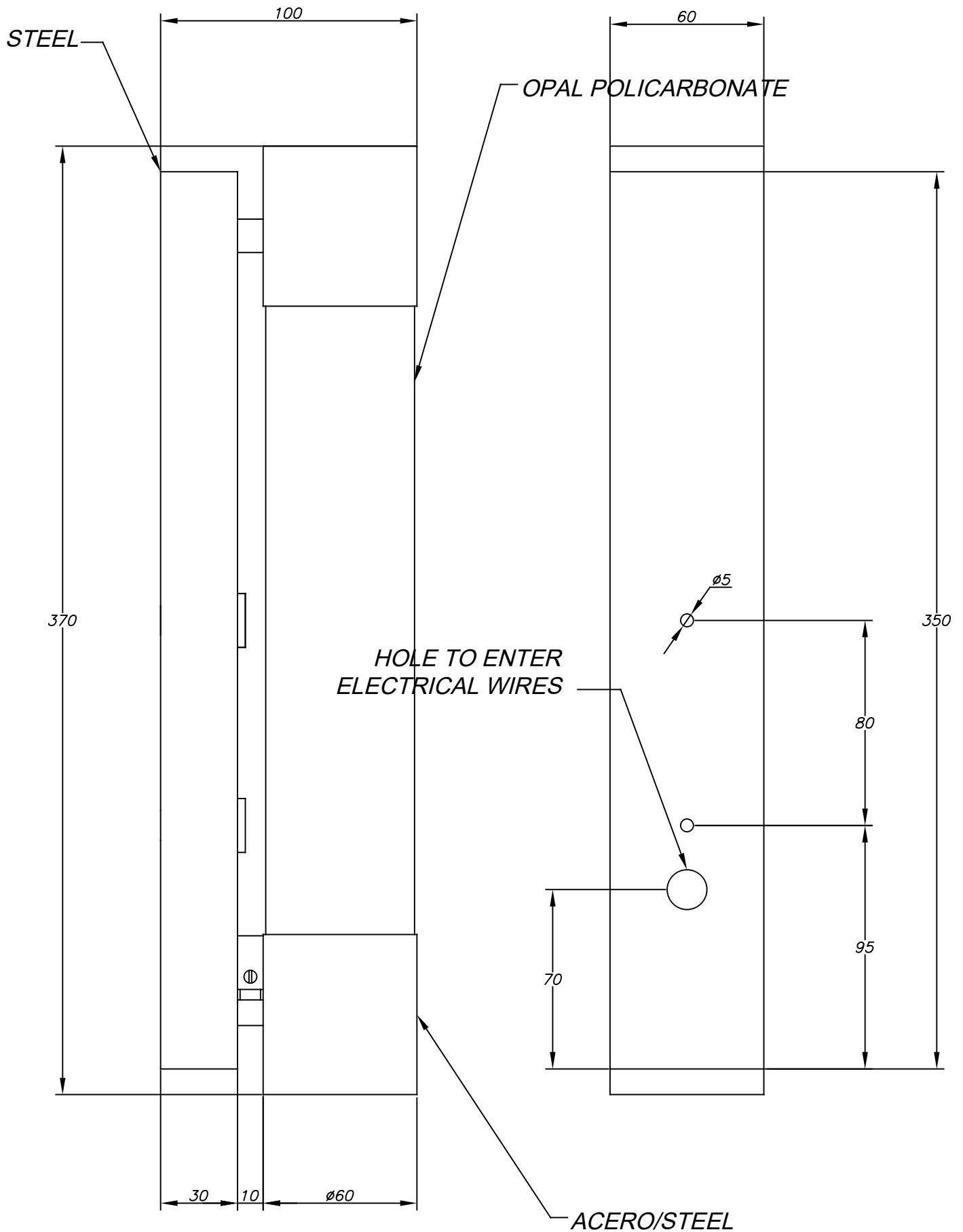
Luminance



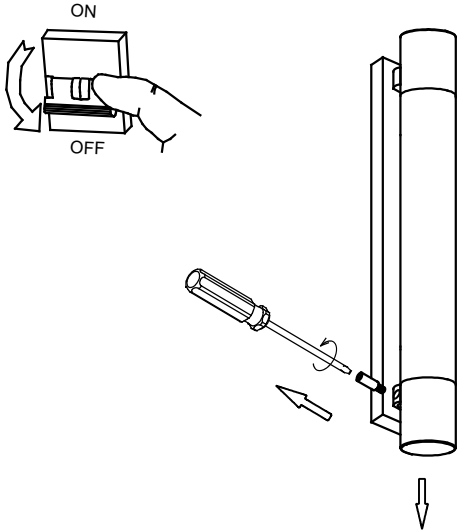
| Luminaire | | Measur. | | Lamp | | | | | | | | | |
|---------------------------|-------------------------|-------------------|--------------------|------------|----------------|---------|---------|---------|---------|---------|----------|----------|----------|
| Code | 05-4385-21-M1 | Code | 05-4385-21-M1 | Code | PL-L18W/830/4P | | | | | | | | |
| Name | Aplique 1x18W PL-L 2G11 | Name | Aplique 1x18W 2G11 | Number | 1 | | | | | | | | |
| Line | - LEDS-C4 | Date | 28-08-2013 | Position | Univesal | | | | | | | | |
| Efficiency | 54.67% | Coordinate system | CG | Total Flux | 1200.00 lm | | | | | | | | |
| Luminance cd/m2 Table 1/3 | | | | | | | | | | | | | |
| | C 0.00 | C 10.00 | C 20.00 | C 30.00 | C 40.00 | C 50.00 | C 60.00 | C 70.00 | C 80.00 | C 90.00 | C 100.00 | C 110.00 | C 120.00 |
| G 0.0 | 5713.41 | 5713.41 | 5713.41 | 5713.41 | 5713.41 | 5713.41 | 5713.41 | 5713.41 | 5713.41 | 5713.41 | 5713.41 | 5713.41 | 5713.41 |
| G 5.0 | 5341.02 | 5332.85 | 5330.59 | 5333.99 | 5347.84 | 5369.25 | 5400.88 | 5450.68 | 5516.69 | 5594.01 | 5516.69 | 5450.68 | 5400.88 |
| G 10.0 | 5110.87 | 5118.75 | 5123.85 | 5118.24 | 5113.68 | 5128.84 | 5167.98 | 5225.88 | 5325.83 | 5470.57 | 5325.83 | 5225.88 | 5167.98 |
| G 15.0 | 5027.80 | 5009.42 | 4985.15 | 4951.55 | 4935.25 | 4943.30 | 4973.72 | 5029.26 | 5148.01 | 5336.46 | 5148.01 | 5029.26 | 4973.72 |
| G 20.0 | 4951.16 | 4913.03 | 4889.65 | 4843.42 | 4809.70 | 4796.14 | 4806.95 | 4855.99 | 4989.63 | 5215.76 | 4989.63 | 4855.99 | 4806.95 |
| G 25.0 | 4905.09 | 4856.01 | 4821.63 | 4753.48 | 4696.78 | 4662.39 | 4651.81 | 4676.54 | 4805.74 | 5058.24 | 4805.74 | 4676.54 | 4651.81 |
| G 30.0 | 4917.96 | 4843.19 | 4772.63 | 4689.04 | 4609.39 | 4547.89 | 4510.33 | 4509.87 | 4626.85 | 4887.11 | 4626.85 | 4509.87 | 4510.33 |
| G 35.0 | 4901.84 | 4813.48 | 4732.18 | 4634.17 | 4530.85 | 4444.62 | 4385.38 | 4364.34 | 4471.25 | 4740.00 | 4471.25 | 4364.34 | 4385.38 |
| G 40.0 | 4893.26 | 4787.77 | 4691.43 | 4579.71 | 4464.38 | 4354.40 | 4260.29 | 4209.06 | 4285.32 | 4521.74 | 4285.32 | 4209.06 | 4260.29 |
| G 45.0 | 4898.40 | 4768.06 | 4655.12 | 4532.22 | 4404.44 | 4271.36 | 4135.82 | 4027.06 | 4067.01 | 4308.91 | 4067.01 | 4027.06 | 4135.82 |
| G 50.0 | 4900.24 | 4745.10 | 4620.33 | 4485.29 | 4325.27 | 4171.36 | 4022.50 | 3864.08 | 3862.48 | 4106.73 | 3862.48 | 3864.08 | 4022.50 |
| G 55.0 | 4853.62 | 4678.24 | 4553.53 | 4429.66 | 4265.70 | 4090.55 | 3905.54 | 3696.50 | 3637.99 | 3827.77 | 3637.99 | 3696.50 | 3905.54 |
| G 60.0 | 4817.24 | 4626.35 | 4476.71 | 4336.41 | 4194.81 | 4011.85 | 3764.90 | 3491.61 | 3378.74 | 3525.09 | 3378.74 | 3491.61 | 3764.90 |
| G 65.0 | 4761.50 | 4573.17 | 4421.32 | 4269.69 | 4111.03 | 3913.82 | 3644.46 | 3310.15 | 3106.28 | 3141.21 | 3106.28 | 3310.15 | 3644.46 |
| G 70.0 | 4790.26 | 4587.07 | 4416.08 | 4228.90 | 4016.24 | 3785.24 | 3501.00 | 3115.71 | 2831.44 | 2767.92 | 2831.44 | 3115.71 | 3501.00 |
| G 75.0 | 4881.47 | 4674.19 | 4477.16 | 4249.71 | 4013.66 | 3730.22 | 3352.01 | 2872.94 | 2473.21 | 2227.79 | 2473.21 | 2872.94 | 3352.01 |
| G 80.0 | 5053.00 | 4834.04 | 4631.45 | 4389.76 | 4112.86 | 3761.34 | 3295.72 | 2712.82 | 2136.51 | 1532.87 | 2136.51 | 2712.82 | 3295.72 |
| G 85.0 | 5323.89 | 5088.08 | 4875.96 | 4614.63 | 4294.66 | 3908.11 | 3399.11 | 2682.59 | 1908.50 | 982.72 | 1908.50 | 2682.59 | 3399.11 |
| G 90.0 | 5720.95 | 5457.04 | 5230.92 | 4960.40 | 4631.49 | 4232.75 | 3674.64 | 2806.54 | 1838.65 | 597.47 | 1838.65 | 2806.54 | 3674.64 |

| Luminaire | | Measuram. | | Lamp | | | | | | | | | |
|---------------------------|-------------------------|-------------------|--------------------|------------|----------------|----------|----------|----------|----------|----------|----------|----------|----------|
| Code | 05-4385-21-M1 | Code | 05-4385-21-M1 | Code | PL-L18W/830/4P | | | | | | | | |
| Name | Aplique 1x18W PL-L 2G11 | Name | Aplique 1x18W 2G11 | Number | 1 | | | | | | | | |
| Line | - LEDS-C4 | Date | 28-08-2013 | Position | Univesal | | | | | | | | |
| Efficiency | 54.67% | Coordinate system | CG | Total Flux | 1200.00 lm | | | | | | | | |
| Luminance cd/m2 Table 2/3 | | | | | | | | | | | | | |
| | C 130.00 | C 140.00 | C 150.00 | C 160.00 | C 170.00 | C 180.00 | C 190.00 | C 200.00 | C 210.00 | C 220.00 | C 230.00 | C 240.00 | C 250.00 |
| G 0.0 | 5713.41 | 5713.41 | 5713.41 | 5713.41 | 5713.41 | 5713.41 | 5713.41 | 5713.41 | 5713.41 | 5713.41 | 5713.41 | 5713.41 | 5713.41 |
| G 5.0 | 5369.25 | 5347.84 | 5333.99 | 5330.59 | 5332.85 | 5341.02 | 5332.85 | 5330.59 | 5333.99 | 5347.84 | 5369.25 | 5400.88 | 5450.68 |
| G 10.0 | 5128.84 | 5113.68 | 5118.24 | 5123.85 | 5118.75 | 5110.87 | 5118.75 | 5123.85 | 5118.24 | 5113.68 | 5128.84 | 5167.98 | 5225.88 |
| G 15.0 | 4943.30 | 4935.25 | 4951.55 | 4985.15 | 5009.42 | 5027.80 | 5009.42 | 4985.15 | 4951.55 | 4935.25 | 4943.30 | 4973.72 | 5029.26 |
| G 20.0 | 4796.14 | 4809.70 | 4843.42 | 4889.65 | 4913.03 | 4951.16 | 4913.03 | 4889.65 | 4843.42 | 4809.70 | 4796.14 | 4806.95 | 4855.99 |
| G 25.0 | 4662.39 | 4696.78 | 4753.48 | 4821.63 | 4856.01 | 4905.09 | 4856.01 | 4821.63 | 4753.48 | 4696.78 | 4662.39 | 4651.81 | 4676.54 |
| G 30.0 | 4547.89 | 4609.39 | 4689.04 | 4772.63 | 4843.19 | 4917.96 | 4843.19 | 4772.63 | 4689.04 | 4609.39 | 4547.89 | 4510.33 | 4509.87 |
| G 35.0 | 4444.62 | 4530.85 | 4634.17 | 4732.18 | 4813.48 | 4901.84 | 4813.48 | 4732.18 | 4634.17 | 4530.85 | 4444.62 | 4385.38 | 4364.34 |
| G 40.0 | 4354.40 | 4464.38 | 4579.71 | 4691.43 | 4787.77 | 4893.26 | 4787.77 | 4691.43 | 4579.71 | 4464.38 | 4354.40 | 4260.29 | 4209.06 |
| G 45.0 | 4271.36 | 4404.44 | 4532.22 | 4655.12 | 4768.06 | 4898.40 | 4768.06 | 4655.12 | 4532.22 | 4404.44 | 4271.36 | 4135.82 | 4027.06 |
| G 50.0 | 4171.36 | 4325.27 | 4485.29 | 4620.33 | 4745.10 | 4900.24 | 4745.10 | 4620.33 | 4485.29 | 4325.27 | 4171.36 | 4022.50 | 3864.08 |
| G 55.0 | 4090.55 | 4265.70 | 4429.66 | 4553.53 | 4678.24 | 4853.62 | 4678.24 | 4553.53 | 4429.66 | 4265.70 | 4090.55 | 3905.54 | 3696.50 |
| G 60.0 | 4011.85 | 4194.81 | 4336.41 | 4476.71 | 4626.35 | 4817.24 | 4626.35 | 4476.71 | 4336.41 | 4194.81 | 4011.85 | 3764.90 | 3491.61 |
| G 65.0 | 3913.82 | 4111.03 | 4269.69 | 4421.32 | 4573.17 | 4761.50 | 4573.17 | 4421.32 | 4269.69 | 4111.03 | 3913.82 | 3644.46 | 3310.15 |
| G 70.0 | 3785.24 | 4016.24 | 4228.90 | 4416.08 | 4587.07 | 4790.26 | 4587.07 | 4416.08 | 4228.90 | 4016.24 | 3785.24 | 3501.00 | 3115.71 |
| G 75.0 | 3730.22 | 4013.66 | 4249.71 | 4477.16 | 4674.19 | 4881.47 | 4674.19 | 4477.16 | 4249.71 | 4013.66 | 3730.22 | 3352.01 | 2872.94 |
| G 80.0 | 3761.34 | 4112.86 | 4389.76 | 4631.45 | 4834.04 | 5053.00 | 4834.04 | 4631.45 | 4389.76 | 4112.86 | 3761.34 | 3295.72 | 2712.82 |
| G 85.0 | 3908.11 | 4294.66 | 4614.63 | 4875.96 | 5088.08 | 5323.89 | 5088.08 | 4875.96 | 4614.63 | 4294.66 | 3908.11 | 3399.11 | 2682.59 |
| G 90.0 | 4232.75 | 4631.49 | 4960.40 | 5230.92 | 5457.04 | 5720.95 | 5457.04 | 5230.92 | 4960.40 | 4631.49 | 4232.75 | 3674.64 | 2806.54 |

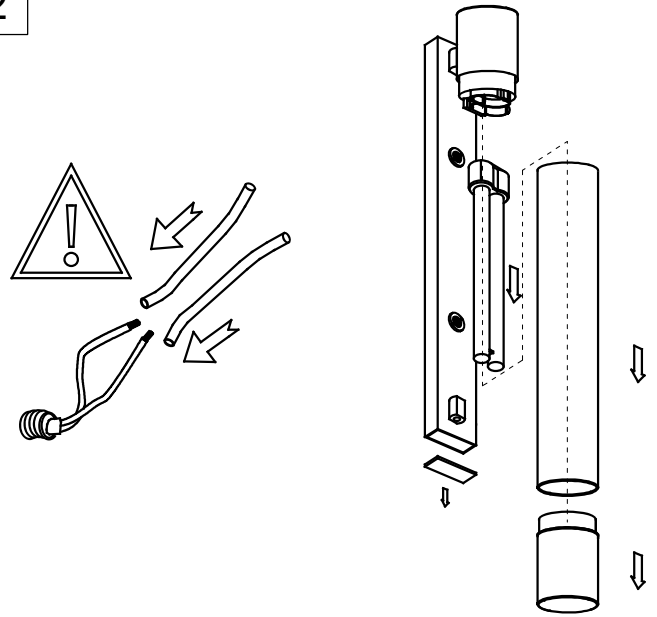
| Luminaire | | Measur. | | Lamp | | | | | | | | | |
|---------------------------|-------------------------|-------------------|--------------------|------------|----------------|----------|----------|----------|----------|----------|----------|----------|----------|
| Code | 05-4385-21-M1 | Code | 05-4385-21-M1 | Code | PL-L18W/830/4P | | | | | | | | |
| Name | Aplique 1x18W PL-L 2G11 | Name | Aplique 1x18W 2G11 | Number | 1 | | | | | | | | |
| Line | - LEDS-C4 | Date | 28-08-2013 | Position | Univesal | | | | | | | | |
| Efficiency | 54.67% | Coordinate system | CG | Total Flux | 1200.00 lm | | | | | | | | |
| Luminance cd/m2 Table 3/3 | | | | | | | | | | | | | |
| | C 180.00 | C 190.00 | C 200.00 | C 210.00 | C 220.00 | C 230.00 | C 240.00 | C 250.00 | C 260.00 | C 270.00 | C 280.00 | C 290.00 | C 300.00 |
| G 0.0 | 5713.41 | 5713.41 | 5713.41 | 5713.41 | 5713.41 | 5713.41 | 5713.41 | 5713.41 | 5713.41 | 5713.41 | 5713.41 | 5713.41 | 5713.41 |
| G 5.0 | 5341.02 | 5332.85 | 5330.59 | 5333.99 | 5347.84 | 5369.25 | 5400.88 | 5450.68 | 5516.69 | 5594.01 | 5516.69 | 5450.68 | 5400.88 |
| G 10.0 | 5110.87 | 5118.75 | 5123.85 | 5118.24 | 5113.68 | 5128.84 | 5167.98 | 5225.88 | 5325.83 | 5470.57 | 5325.83 | 5225.88 | 5167.98 |
| G 15.0 | 5027.80 | 5009.42 | 4985.15 | 4951.55 | 4935.25 | 4943.30 | 4973.72 | 5029.26 | 5148.01 | 5336.46 | 5148.01 | 5029.26 | 4973.72 |
| G 20.0 | 4951.16 | 4913.03 | 4889.65 | 4843.42 | 4809.70 | 4796.14 | 4806.95 | 4855.99 | 4989.63 | 5215.76 | 4989.63 | 4855.99 | 4806.95 |
| G 25.0 | 4905.09 | 4856.01 | 4821.63 | 4753.48 | 4696.78 | 4662.39 | 4651.81 | 4676.54 | 4805.74 | 5058.24 | 4805.74 | 4676.54 | 4651.81 |
| G 30.0 | 4917.96 | 4843.19 | 4772.63 | 4689.04 | 4609.39 | 4547.89 | 4510.33 | 4509.87 | 4626.85 | 4887.11 | 4626.85 | 4509.87 | 4510.33 |
| G 35.0 | 4901.84 | 4813.48 | 4732.18 | 4634.17 | 4530.85 | 4444.62 | 4385.38 | 4364.34 | 4471.25 | 4740.00 | 4471.25 | 4364.34 | 4385.38 |
| G 40.0 | 4893.26 | 4787.77 | 4691.43 | 4579.71 | 4464.38 | 4354.40 | 4260.29 | 4209.06 | 4285.32 | 4521.74 | 4285.32 | 4209.06 | 4260.29 |
| G 45.0 | 4898.40 | 4768.06 | 4655.12 | 4532.22 | 4404.44 | 4271.36 | 4135.82 | 4027.06 | 4067.01 | 4308.91 | 4067.01 | 4027.06 | 4135.82 |
| G 50.0 | 4900.24 | 4745.10 | 4620.33 | 4485.29 | 4325.27 | 4171.36 | 4022.50 | 3864.08 | 3862.48 | 4106.73 | 3862.48 | 3864.08 | 4022.50 |
| G 55.0 | 4853.62 | 4678.24 | 4553.53 | 4429.66 | 4265.70 | 4090.55 | 3905.54 | 3696.50 | 3637.99 | 3827.77 | 3637.99 | 3696.50 | 3905.54 |
| G 60.0 | 4817.24 | 4626.35 | 4476.71 | 4336.41 | 4194.81 | 4011.85 | 3764.90 | 3491.61 | 3378.74 | 3525.09 | 3378.74 | 3491.61 | 3764.90 |
| G 65.0 | 4761.50 | 4573.17 | 4421.32 | 4269.69 | 4111.03 | 3913.82 | 3644.46 | 3310.15 | 3106.28 | 3141.21 | 3106.28 | 3310.15 | 3644.46 |
| G 70.0 | 4790.26 | 4587.07 | 4416.08 | 4228.90 | 4016.24 | 3785.24 | 3501.00 | 3115.71 | 2831.44 | 2767.92 | 2831.44 | 3115.71 | 3501.00 |
| G 75.0 | 4881.47 | 4674.19 | 4477.16 | 4249.71 | 4013.66 | 3730.22 | 3352.01 | 2872.94 | 2473.21 | 2227.79 | 2473.21 | 2872.94 | 3352.01 |
| G 80.0 | 5053.00 | 4834.04 | 4631.45 | 4389.76 | 4112.86 | 3761.34 | 3295.72 | 2712.82 | 2136.51 | 1532.87 | 2136.51 | 2712.82 | 3295.72 |
| G 85.0 | 5323.89 | 5088.08 | 4875.96 | 4614.63 | 4294.66 | 3908.11 | 3399.11 | 2682.59 | 1908.50 | 982.72 | 1908.50 | 2682.59 | 3399.11 |
| G 90.0 | 5720.95 | 5457.04 | 5230.92 | 4960.40 | 4631.49 | 4232.75 | 3674.64 | 2806.54 | 1838.65 | 597.47 | 1838.65 | 2806.54 | 3674.64 |



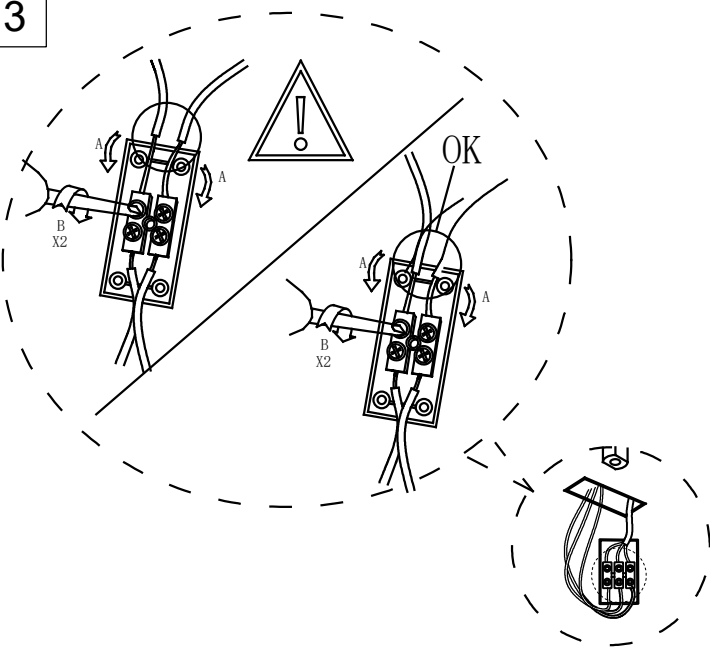
1



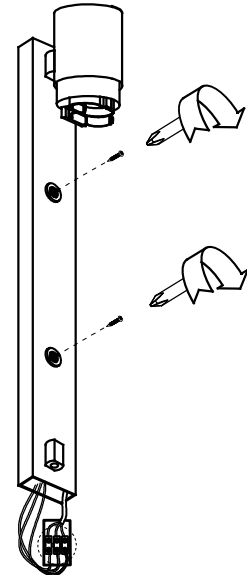
2



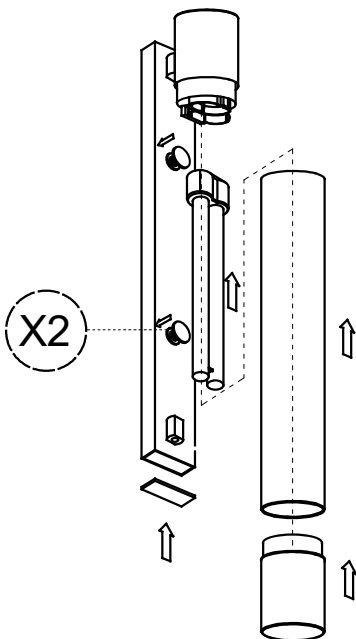
3



4



5



6

