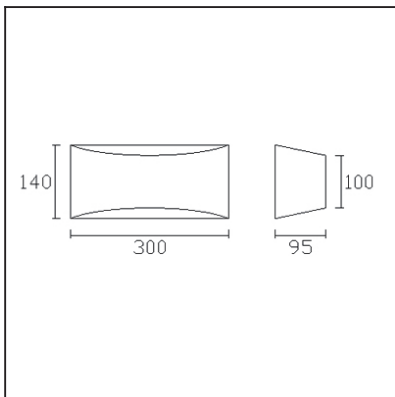




The photograph may not match the reference exactly. Please read the product description to identify the finish.


**DESCRIPTION**

Downlights suitable for recessed installation on ceilings. Body produced in gypsum with steel fixation clips. Suitable for halogen lamps and LED lights. Different models according to shape, rotation options and number of bulbs. Complete architecture integration with the use of thermoplastic paint. Option of including the GU10 lampholder as an accessory.

**TECHNICAL CHARACTERISTICS**

Type:	Wall fixture
IP Protection degrees:	IP20
Lampholder:	1 x E14
Power (W):	E14 40
Total power consumption (W):	40
Voltage / Frequency:	220-240V/50-60Hz
Units per box:	8
EAN:	8435381404857


**MATERIALS / FINISHES**

**Structure material:** Plaster

**Structure finish:** White