



## Plat Surface

Nahtrang Design

Pendant Plat Surface LED 13W Switch 2700K/3000K/4000K Green 805lm PHASE-CUT

### Technical features

- Luminaire total power: 13W
- Real lumens: 805 (3000K)
- Real lm/W: 62
- Correlated Colour Temperature (CCT): SW 2700-3000-4000K
- Lens / reflector angle: FLOOD 89°
- UGR: <=16
- Structure material: Felt
- Structure finish: Black
- Diffuser material: Glass
- Diffuser finish: Green
- Driver Brand: HEP
- Voltage / frequency: 220-240V/50-60Hz
- Dimming protocol: PHASE CUT
- Power Factor: 0.90
- Useful life: 50,000h L80B20
- Warranty: 5 años



### Luminotechnic features

- CRI: 90
- MacAdam steps: 3
- Photobiological risk: RGO

UGR		Lampholder	Quantity	Light source power (W)
S=0.250				
Ceiling / cavity	0.7	LED	1	10.5W
Walls	0.5			
Working Plane	0.2			
Room dimensions	X=4H, Y=8H			
UGR crosswise	15.1			
UGR lengthwise	15.1			

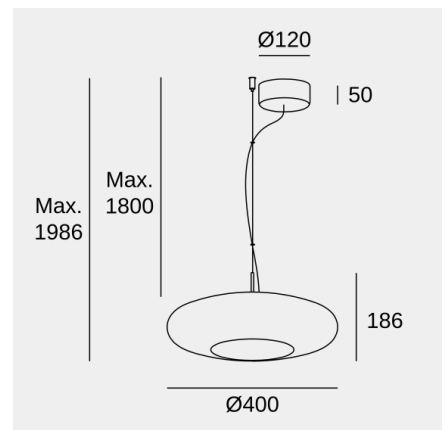


Image may not match reference. LedsC4 reserves the right to amend any of the product's components. The data related to flux, power and colour temperature may be subject to changes made by the manufacturer.



## Plat Surface

Nahtrang Design

Pendant Plat Surface LED 13W Switch 2700K/3000K/4000K Green 805lm PHASE-CUT

### Logistics



x 1

Net weight (kg): 2.38

Packaged weight (kg): 6.17

Packaging: 480mm x 480mm x  
405mm

Image may not match reference. LedsC4 reserves the right to amend any of the product's components. The data related to flux, power and colour temperature may be subject to changes made by the manufacturer.