



Super Attic Conic Shape V 1250mm

Nahtrang Design

Pendant Super Attic Conic Shape V 1250mm E27 15 Black 916lm

Technical features

Luminaire total power: 15W
 Lens / reflector angle: HORIZONTAL 130°
 Structure material: Aluminium
 Structure finish: Black
 Max. size of light bulb: NA/100 mm
 Recommended light bulb: E27
 Voltage / frequency: 100-240V/50-60Hz
 Warranty: 5 años
 Easily recyclable luminaire



Luminotechnic features

Lampholder	Quantity	Light source power (W)	Correlated Colour Temperature (CCT)
E27	1	Max. power 15W	-

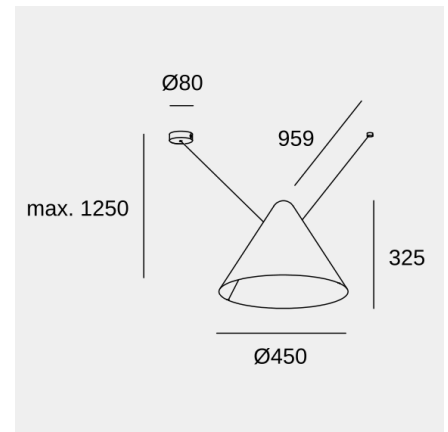


Image may not match reference. LedsC4 reserves the right to amend any of the product's components. The data related to flux, power and colour temperature may be subject to changes made by the manufacturer.

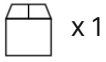


Super Attic Conic Shape V 1250mm

Nahtrang Design

Pendant Super Attic Conic Shape V 1250mm E27 15 Black 916lm

Logistics



x 1

Net weight (kg): 1.61

Packaged weight (kg): 3.16

Packaging: 520mm x 520mm x
400mm

Image may not match reference. LedsC4 reserves the right to amend any of the product's components. The data related to flux, power and colour temperature may be subject to changes made by the manufacturer.