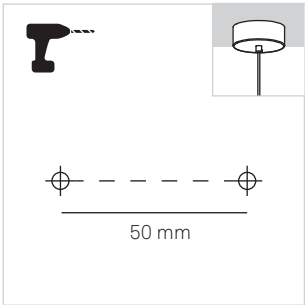


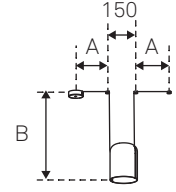
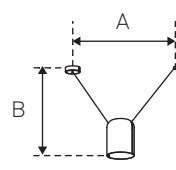
# ATTIC

PENDANT DOUBLE CABLE / MULTIPLE

# LEDS C4

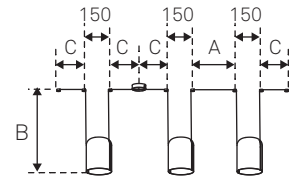
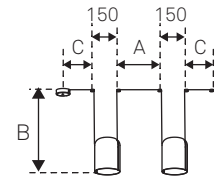
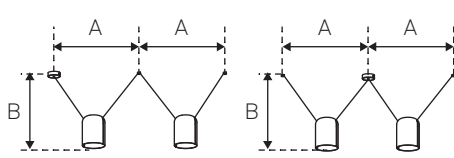


## SINGLE



|   |          |  |      |      |      |      |      |      |
|---|----------|--|------|------|------|------|------|------|
| A |          |  | 500  | 1000 | 1500 | 250  | 500  | 750  |
| B | <br>959  |  | 1140 | 1040 | 830  | 930  | 680  | 430  |
|   |          |  | 1190 | 1090 | 880  | 980  | 730  | 480  |
|   | <br>1959 |  | 2160 | 2110 | 2030 | 1930 | 1680 | 1430 |
|   |          |  | 2210 | 2160 | 2080 | 1980 | 1730 | 1480 |

## MULTIPLE



|   |          |  |      |      |      |      |      |      |
|---|----------|--|------|------|------|------|------|------|
| A |          |  | 500  | 1000 | 1500 | 500  | 1000 | 1500 |
| B | <br>959  |  | 1140 | 1040 | 830  | 930  | 680  | 430  |
|   |          |  | 1190 | 1090 | 880  | 980  | 730  | 480  |
|   | <br>1959 |  | 2160 | 2110 | 2030 | 1930 | 1680 | 1430 |
|   |          |  | 2210 | 2160 | 2080 | 1980 | 1730 | 1480 |
|   |          |  |      |      | C    | 250  | 500  | 750  |

