



## Coco Single

Nahtrang Design

Pendant Coco Single E14 9 Black 592lm

### Technical features

Luminaire total power: 9W

Lens / reflector angle: 349°

Structure material: Steel, Aluminium

Structure finish: Black

Diffuser material: Polycarbonate

Diffuser finish: White

Recommended light bulb: E14

Voltage / frequency: 100-240V/50-60Hz

Warranty: 5 años



### Luminotechnic features

Luminance C0°G65°: 1523

Luminance C90°G65°: 1334

Lampholder	Quantity	Light source power (W)
E14	1	Max. power 9W

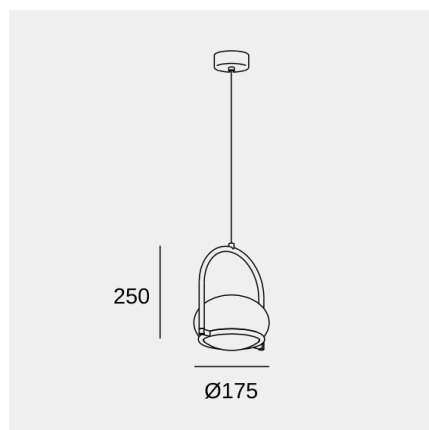


Image may not match reference. LedsC4 reserves the right to amend any of the product's components. The data related to flux, power and colour temperature may be subject to changes made by the manufacturer.



## Coco Single

Nahtrang Design

Pendant Coco Single E14 9 Black 592lm

### Logistics



x 8

Net weight (kg): 0.73

Packaged weight (kg): 1.05

Packaging: 380mm x 280mm x  
240mm

### Light application



Image may not match reference. LedsC4 reserves the right to amend any of the product's components. The data related to flux, power and colour temperature may be subject to changes made by the manufacturer.