



Candle 1 Body Surface

Benedito Design

Pendant Candle 1 Body Surface LED 4.1 LED warm-white 2700K ON-OFF Brass 154lm

Technical features

- Luminaire total power: 4.1W
- Real lumens: 154
- Real lm/W: 38
- Correlated Colour Temperature (CCT): LED warm-white 2700K
- Lens / reflector angle: FLOOD 47°
- Structure material: Steel, Aluminium
- Structure finish: Brass
- Diffuser material: Methacrylate
- Diffuser finish: Transparent
- Driver Brand: HEP
- Voltage / frequency: 100-240V/50-60Hz
- Dimming protocol: ON-OFF
- Power Factor: 0.90
- THD%: 20
- Useful life: 50,000h L80B20
- Warranty: 5 años



Luminotechnic features

- CRI: 90
- MacAdam steps: 2
- Photobiological risk: RG1

| UGR S=0.250 | | Lampholder | Quantity | Light source power (W) |
|------------------|------------|------------|----------|------------------------|
| Ceiling / cavity | 0.7 | LED | 1 | 3.2W |
| Walls | 0.5 | | | |
| Working Plane | 0.2 | | | |
| Room dimensions | X=4H, Y=8H | | | |
| UGR crosswise | 23.7 | | | |
| UGR lengthwise | 23.7 | | | |

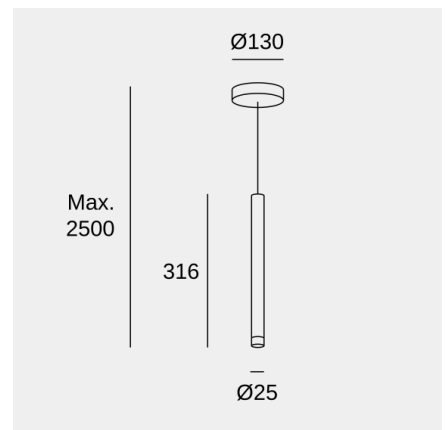


Image may not match reference. LedsC4 reserves the right to amend any of the product's components. The data related to flux, power and colour temperature may be subject to changes made by the manufacturer.

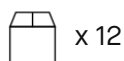


Candle 1 Body Surface

Benedito Design

Pendant Candle 1 Body Surface LED 4.1 LED warm-white 2700K ON-OFF Brass 154lm

Logistics



x 12

Net weight (kg): 0.5

Packaged weight (kg): 1.1

Packaging: 180mm x 80mm x 550mm

Light application



Image may not match reference. LedsC4 reserves the right to amend any of the product's components. The data related to flux, power and colour temperature may be subject to changes made by the manufacturer.



Candle 1 Body Surface

Benedito Design

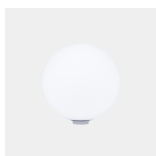
Pendant Candle 1 Body Surface LED 4.1 LED warm-white 2700K ON-OFF Brass 154lm

Optional accessories



71-6022-27-27

Structure material: Steel
Dimensions: 150 x NA x 2
Net weight (kg): 0.27



71-8318-F9-F9

Candle tinted glass diffuser accessory

Structure material: Glass
Dimensions: 100 x NA x NA
Net weight (kg): 0.16

Image may not match reference. LedsC4 reserves the right to amend any of the product's components. The data related to flux, power and colour temperature may be subject to changes made by the manufacturer.