



Bravo

Manel Llusçà

Pendant Bravo LED 40.7 LED warm-white 3000K ON-OFF Gold 3075lm

Technical features

- Luminaire total power: 40.7W
- Real lumens: 3075
- Real lm/W: 76
- Correlated Colour Temperature (CCT): LED warm-white 3000K
- Lens / reflector angle: FLOOD 84°
- Structure material: Aluminium
- Structure finish: Gold
- Diffuser material: Acrylic
- Diffuser finish: Opal
- Voltage / frequency: 110-240V/50-60Hz
- Dimming protocol: ON-OFF
- Power Factor: 0.90
- THD%: <18
- Useful life: 50,000h L80B20
- Warranty: 5 años



Luminotechnic features

- Luminance C0°G65°: 221
- Luminance C90°G65°: 34
- CRI: 80
- MacAdam steps: 3
- Photobiological risk: RGO

Lampholder	Quantity	Light source power (W)
LED	1	37.5W

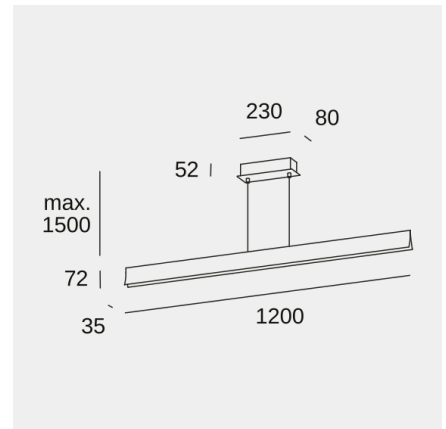


Image may not match reference. LedsC4 reserves the right to amend any of the product's components. The data related to flux, power and colour temperature may be subject to changes made by the manufacturer.



Bravo

Manel Llusçà

Pendant Bravo LED 40.7 LED warm-white 3000K ON-OFF Gold 3075lm

Logistics



x 4

Net weight (kg): 1.88

Packaged weight (kg): 2.6

Packaging: 150mm x 95mm x 1270mm

Light application



Image may not match reference. LedsC4 reserves the right to amend any of the product's components. The data related to flux, power and colour temperature may be subject to changes made by the manufacturer.