



Pipe 170mm

Pendant Pipe 170mm GU10 8 White

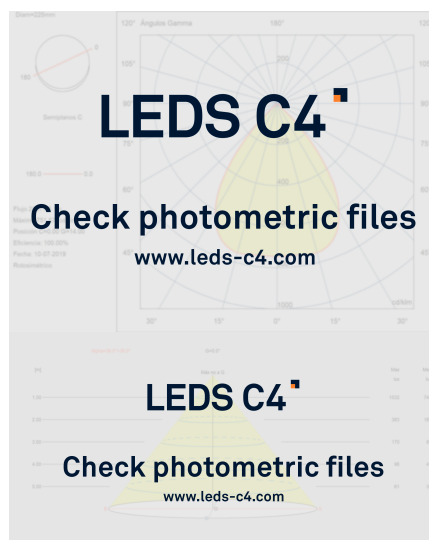
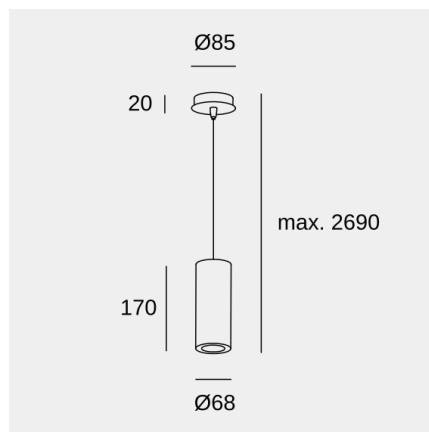
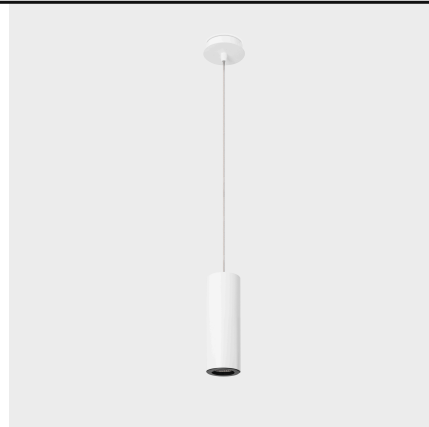
Technical features

- Luminaire total power: 8W
- Structure material: Aluminium, Steel
- Structure finish: White
- Recommended light bulb: GU10
- Voltage / frequency: 100-240V/50-60Hz
- Warranty: 5 años
- Easily recyclable luminaire



Luminotechnic features

Lampholder	Quantity	Light source power (W)
GU10	1	Max. power 8W



Photometric test performed with a standard bulb

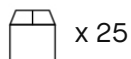
Image may not match reference. LedsC4 reserves the right to amend any of the product's components. The data related to flux, power and colour temperature may be subject to changes made by the manufacturer.



Pipe 170mm

Pendant Pipe 170mm GU10 8 White

Logistics



x 25

Net weight (kg): 0.54

Packaged weight (kg): 0.67

Packaging: 100mm x 100mm x
250mm

Light application

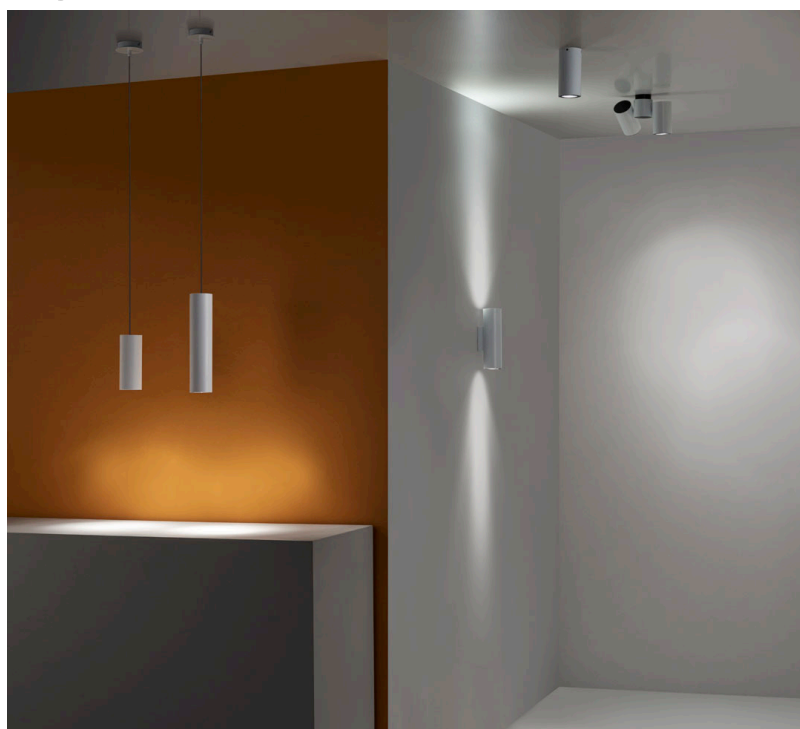


Image may not match reference. LedsC4 reserves the right to amend any of the product's components. The data related to flux, power and colour temperature may be subject to changes made by the manufacturer.



Pipe 170mm

Pendant Pipe 170mm GU10 8 White

Optional accessories



71-0073-05-05

Black ring

Structure material: Steel
Dimensions: 68 x NA x 20
Net weight (kg): 0.05



71-0073-14-14

White ring

Structure material: Steel
Dimensions: 68 x NA x 20
Net weight (kg): 0.05



71-2232-14-14

White Connector to connect track pendant lights

Structure material: Polycarbonate
Dimensions: NA x NA x NA
Net weight (kg): 0.09



71-2232-60-60

Black Connector to connect track pendant lights

Structure material: Polycarbonate
Dimensions: NA x NA x NA
Net weight (kg): 0.09



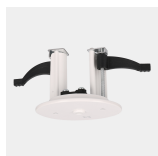
71-0073-DL-DL

Gold ring

Structure material: Steel
Dimensions: Ø68 x NA x 20
Net weight (kg): 0.05

Image may not match reference. LedsC4 reserves the right to amend any of the product's components. The data related to flux, power and colour temperature may be subject to changes made by the manufacturer.

Optional accessories



71-5967-14-14

White canopy installation accessory

Structure material: Aluminium

Dimensions: 97 x NA x NA

Net weight (kg): 0.1

Image may not match reference. LedsC4 reserves the right to amend any of the product's components. The data related to flux, power and colour temperature may be subject to changes made by the manufacturer.