



● steinel



DE

GB

FR

NL

IT

ES

PT

SE

DK

FI

NO

GR

TR

HU

CZ

SK

PL

RO

SI

HR

EE

LT

LV

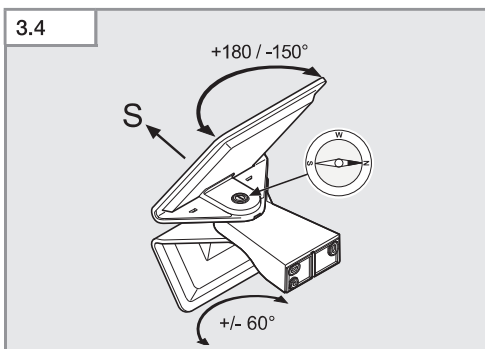
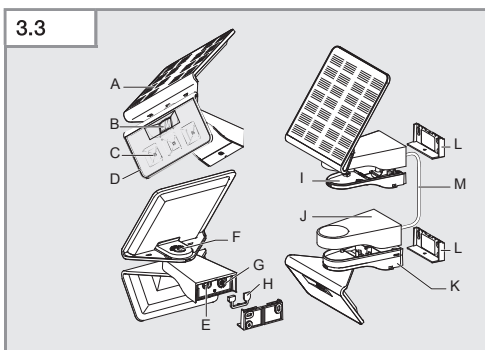
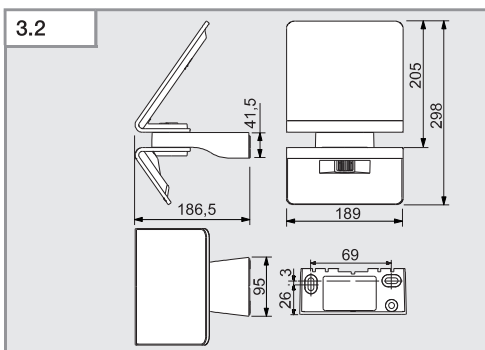
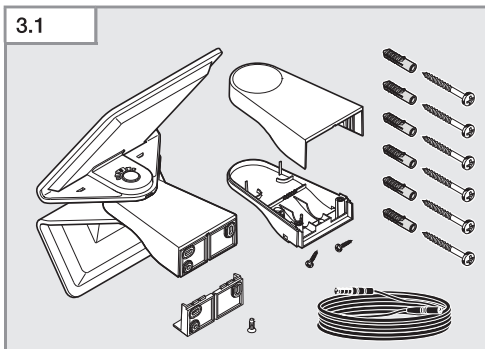
RU

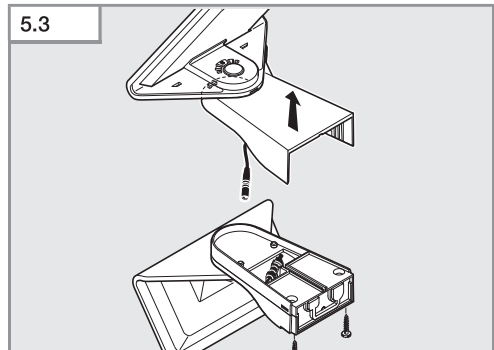
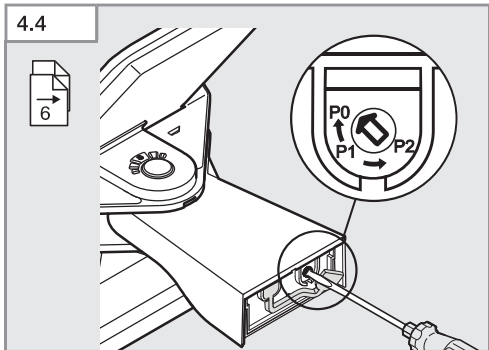
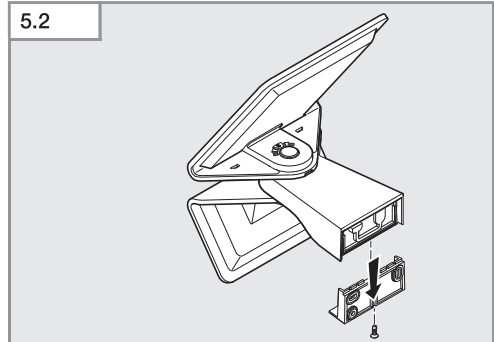
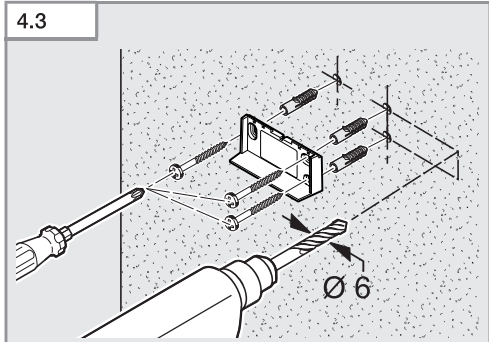
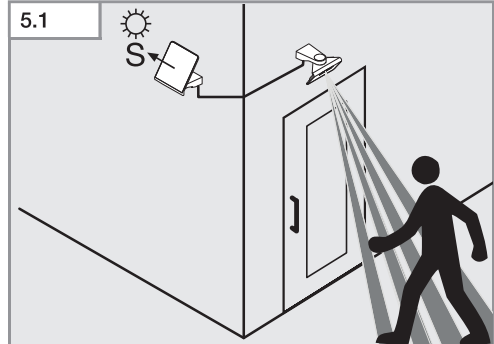
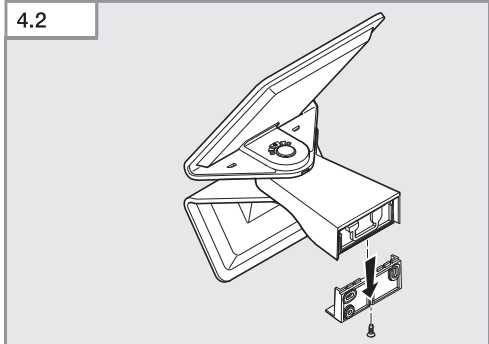
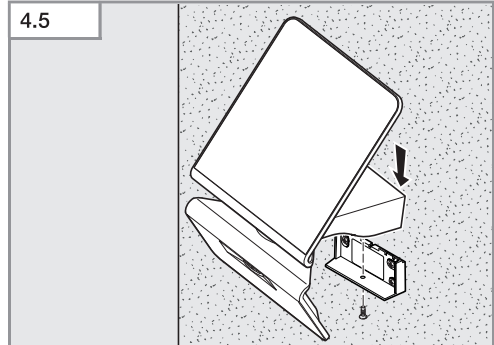
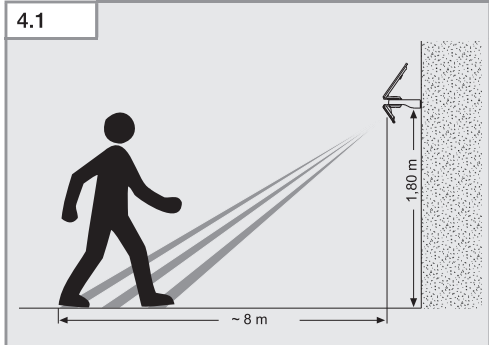
BG

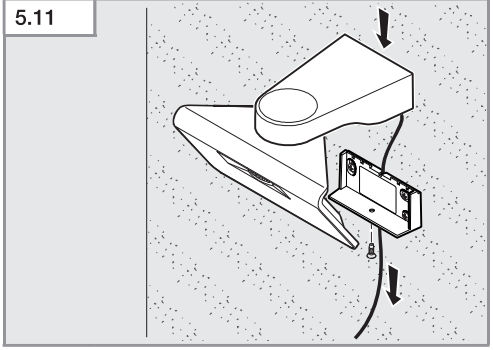
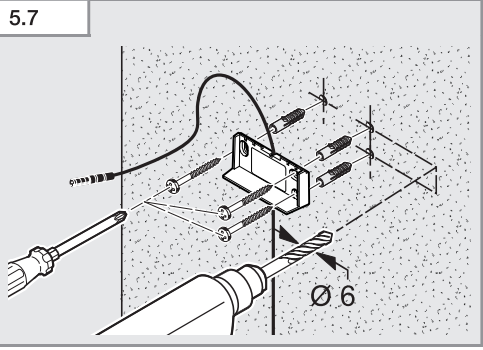
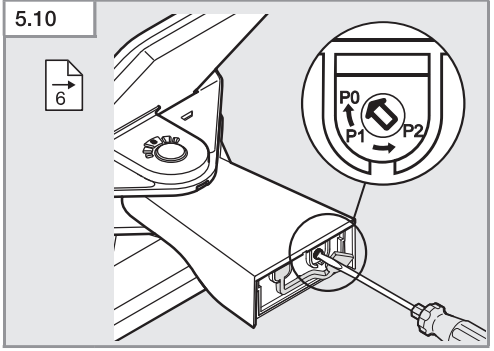
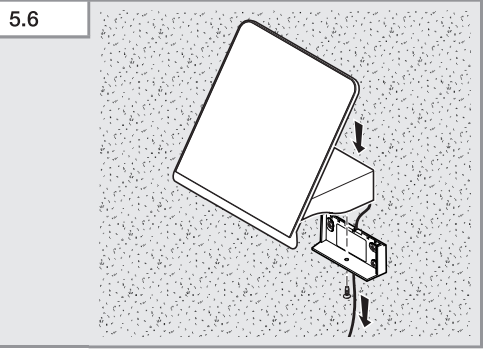
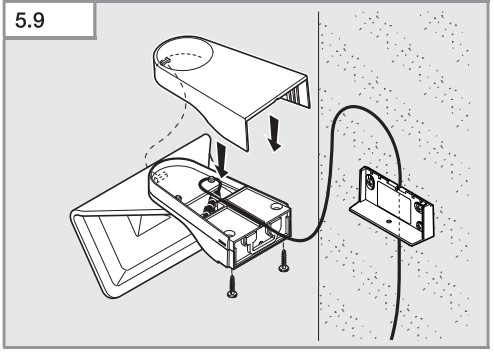
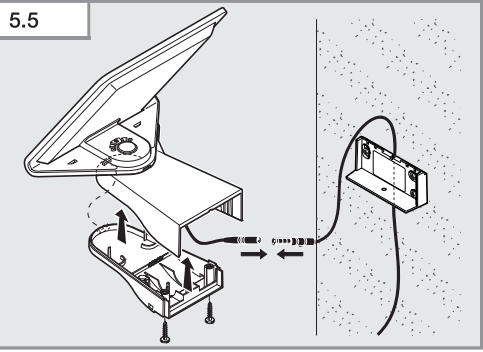
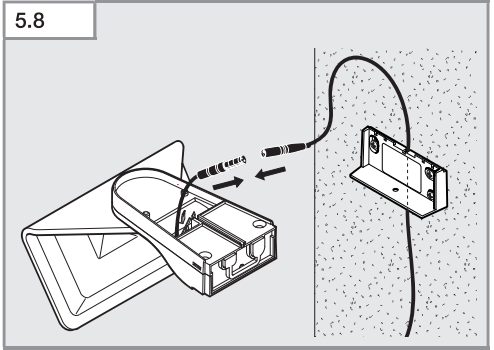
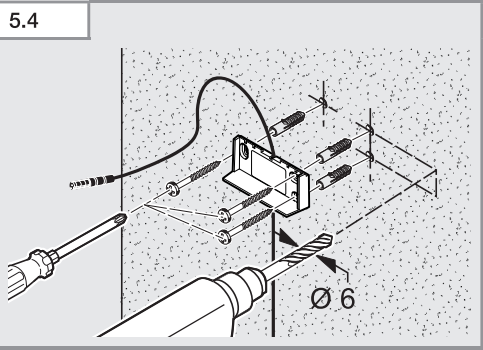
CN



- DE..... 5 Textteil beachten!
GB..... 10 Follow written instructions!
FR..... 14 Suivre les instructions ci-après !
NL..... 19 Tekstpassage in acht nemen!
IT..... 24 Seguire attentamente le istruzioni!
ES..... 29 ¡Obsérvese la información textual!
PT..... 34 Seguir as instruções escritas
SE..... 39 Följ den skriftliga montageinstruktionen.
DK..... 43 Følg de skriftlige instruktioner!
FI..... 47 Huomioi tekstiosa!
NO..... 51 Se tekstdelen!
GR..... 55 Τηρείτε γραπτές οδηγίες!
TR..... 60 Yazılı talimatlara uyunuz!
HU..... 64 A szöveges utasításokat tartsa meg!
CZ..... 69 Dodržujte písemné pokyny!
SK..... 73 Dodržiavajte písomné informácie!
PL..... 77 Postępować zgodnie z instrukcją!
RO..... 82 Respectați instrucțiunile următoare!
SI..... 87 Upoštečajte besedilo!
HR..... 91 Obratiti pozornost na dio teksta
EE..... 95 Järgige tekstiosa!
LT..... 99 Atsižvelgti į rašytines instrukcijas!
LV..... 104 Pievērsiet uzmanību teksta daļai!
RU..... 108 Соблюдать текстовую инструкцию!
BG..... 113 Прочетете инструкциите!
CN..... 117 遵守文字说明要求!







1. About this document

Please read carefully and keep in a safe place.

- Under copyright. Reproduction either in whole or in part only with our consent.
- Subject to change in the interest of technical progress.

Symbols



Hazard warning!



Reference to other information in the document.

2. General safety precautions



Hazard from vapours or electrolyte fluid!

Vapours or electrolyte fluid may escape if the rechargeable battery is damaged or used improperly. Coming into contact with them may result in severe injury (e.g. loss of sight, acid burns).

- Never open the rechargeable battery enclosure or the rechargeable battery itself.
- Do not allow vapours or electrolyte fluid to come into contact with your eyes. In the event of contact with eyes:
 - Do not rub your eyes.
 - Immediately rinse eyes with plenty of clean water (such as tap water).
 - Seek medical advice.
- Do not touch any electrolyte fluid that has escaped.
- Immediately move product away from naked flames or sources of heat.
- Immediately remove contaminated clothing.



Hazard from LED light!

Looking directly into the LED light when it is ON could damage your retina.

- Never look into the LED light at short range or for any prolonged period (> 5 minutes).
- The light must not be installed in explosive atmospheres.
- For trouble-free operation, choose an installation site that is not exposed to vibration or shock.
- Protect the solar panel from mechanical strain (e.g. tree branches).
- The product must not be modified or altered in any way.

3. XSolar L-S

Proper use

- SensorLight with LEDs as the source of light.
- For mounting on outdoor walls.
- Automatically provides light at places where no mains power is available.
- With independent power supply from solar panel and rechargeable battery.
- Autonomous detection of the smallest of movements by means of integrated infrared sensor.

Finishes

- XSolar L-S white (EAN 4007841671006)
- XSolar L-S silver (EAN 4007841671013)

Package contents (III. 3.1)

Product dimensions (III. 3.2)

Product components (III. 3.3)

- A Solar panel
- B Motion detector
- C LEDs
- D LED panel
- E Micro USB charging socket
- F Compass
- G Programme selector switch
- H Seal
- I Cover, solar-panel holder
- J Cover, LED-panel holder
- K Electronics enclosure
- L Wall mount
- M Extension cable

Setting range for solar panel / LED panel (III. 3.4)

Technical specifications for SensorLight

- Output: 6 LED, 1.2 W max.
- Infrared system
- Angle of coverage: 140°
- Detection reach:
 - 8.0 m max. (installed at a height of 1.8 m)
- Area illuminated: 30 m²
- Light-level setting: 2 lux
- Time setting: software-controlled, 10-30 sec.
- Basic light level: 3 %
- Luminous flux: 150 lumens / 124 Lm/w max.
- Colour temperature: 3,000 kelvin
- Solar-panel turning angle: +180°/-150°
- Solar-panel tilt: 55°
- LED-panel turning angle: +/- 60°
- LED-panel tilt: 55°
- Protection class: III
- IP rating: IP 44
- Temperature range: -20 °C to +40 °C
- Dimensions (WxHxD): 189 x 298 186.5 mm

Technical specifications for rechargeable battery

- Nanophosphate® high-power lithium-ion rechargeable battery, cadmium-free LiFePO_4 .
- Can be recharged at any time without shortening battery lifespan.
- Automatic recharging by solar panel.
- Can be recharged using charging adapter at micro USB socket (5 V).
- Can be replaced by the manufacturer or qualified electricians.
- Rechargeable battery capacity: 2500 mAh
- Max. lighting duration:
60 days at 20 switching operations a night.
- Micro USB charging socket: 5 V, 1 A max., can be used in all three programmes.

Recharging time depends on the site of installation (direct sunlight). Expect charging to take many times longer in winter or on rainy days.

Accessories

- Replacement 6 m extension cable for XSolar EAN/UPC code 4007841006518

4. Installation

- Check all components for damage.
- Do not use the product if the solar panel or LED panel is damaged.

Operating reliability will be limited if the product is used in adverse conditions (e.g. installed in shade or behind glass, solar panel not facing the right direction)

- Choose an appropriate site with plenty of sunlight for installing the solar panel (facing south).
- Avoid shade from porches, overhanging roofs or trees.
- Pay attention to detection reach (III. 4.1).
- Remove wall mount (III. 4.2).
- Drill holes and fit rawl plugs (III. 4.3).
- Screw-fasten wall mount to the wall (III. 4.3).
- Make settings (III. 4.4).
→ "6. Operation"
- Screw SensorLight to wall mount (III. 4.5).
- Aim LED panel with motion detector in the right direction (III. 3.4).
- Aim solar panel to get the strongest sunlight for the longest time possible (III. 3.4).
- Check compass (for south-facing position) (III. 3.4).

5. Optional

Install LED and solar panel separately

To optimise conditions at the point of use, the solar panel and LED panel can be mounted separately (III. 5.1).

- LED panel: light where it's needed.
- Solar panel: exposed to a high level of direct sunlight.

Risk of damage to property

Pulling on the cable can cause irreparable damage to the product.

- Route the cable out of children's reach.
- Remove wall mount (III. 5.2).
- Separate solar panel from LED panel (III. 5.3).
- Drill holes and fit rawl plugs (III. 5.4).
- Route extension cable behind wall mount (III. 5.4).
- Screw-fasten wall mount to the wall (III. 5.4).
- Connect extension cable to solar panel (III. 5.5).
- Fit solar panel holder to solar panel (III. 5.5).
- Screw solar-panel to wall mount (III. 5.6).
- Pull extension cable downwards (III. 5.6).
- Drill holes and fit rawl plugs (III. 5.7).
- Route extension cable behind wall mount (III. 5.7).
- Screw-fasten wall mount to the wall (III. 5.7).
- Connect extension cable to LED panel (III. 5.8).
- Fit LED-panel holder cover to LED panel (III. 5.9).
- Make settings (III. 5.10).
→ "6. Operation"
- Screw LED panel to wall mount (III. 5.11).
- Pull extension cable downwards (III. 5.11).
- Aim LED panel with motion detector in the right direction (III. 3.4).
- Aim solar panel to get the strongest sunlight for the longest time possible (III. 3.4).
- Check compass (for south-facing position) (III. 3.4).

6. Operation

Before using for the first time

- Activate light by setting the programme selector switch to P2.
The light stays in test mode for one minute before it starts to work in programme P2.

Test mode

During the test sequence the light works in daytime mode.

On detecting movement, the light switches ON for 1 minute with a stay-ON time of 10 sec. irre-

spectively of light-level setting. The programme is automatically activated after this time elapses. The red LED stays ON all the time in test mode.

Setting the chosen operating mode by programme selector switch

- P0: OFF (factory setting).
Loads (LED panel and sensor) are deactivated.
- P1: Sensor mode.
Light only switches ON after receiving a signal from the motion detector.
- P2: Sensor mode with basic light level.
Light switches ON after receiving a signal from the motion detector.
Light permanently ON in the morning and evening hours at reduced basic light level.

Stay-ON time and brightness

- Stay-ON time is determined when the light is used for the first time.
- During the first night, basic lighting is switched OFF in the morning in programme 2.
- Stay-ON time and brightness can be automatically matched to ambient conditions, e.g. stay-ON time is longer in summer than it is in winter.
- Basic lighting level provides night-time illumination at approx. 3% light output. Light is switched to maximum output when movement is identified in the detection zone. The light then returns to basic lighting level (approx. 3%).
The period basic lighting is provided for is matched to ambient conditions. Using basic lighting reduces light availability. If it is not needed, it is recommended to switch it OFF (P1) to ensure lighting availability in less sunny periods.

Charging the battery manually

The red LED in the motion detector flashes if battery capacity is too low (e.g. in poor weather). The battery can be recharged with a standard micro USB charging adapter (not included). Battery recharging can take up to 6 hours.

Risk of damage to property from penetrating moisture

When open, the micro USB charging socket (E) is not protected from the ingress of water.

- Only recharge batteries in a dry room.
- Connect micro USB charging adapter.
 - Red LED flashes: charging in progress
The LED may take up to 10 minutes to start flashing if the battery has run down to very low level.
 - Red LED shows: battery is fully charged.

- Remove micro USB charging adapter.
 - Red LED goes out.

Risk of damage to property when light is not in use

If the light is not used for a prolonged period (e.g. in storage), the battery may suffer irreparable damage from exhaustive discharge.

- Set programme selector switch to P0.
- The battery must be on full charge before taking the light out of service.
- Regularly charge the battery while the light is not in use.

7. Malfunctions

Red LED flashing in motion detector

- Battery capacity too low.
 - Charge battery with micro USB charging adapter (not included).

Light does not switch ON

- Battery capacity too low.
 - Charge battery with micro USB charging adapter (not included).
- Open or short circuit.
 - Check connections.
- Programme selector switch set to P0.
 - Set programme selector switch to P1 or P2.
- Detection zone not correctly adjusted.
 - Check detection zone.

Light does not switch OFF

- Continued movement within the detection zone.
 - Check detection zone.

Light switches ON when it should not

- Uncontrolled movement in the detection zone:
 - Wind is moving trees and bushes.
 - Cars in the street being detected.
 - Sudden temperature changes due to weather (wind, rain, snow) or air expelled from fans, open windows.
 - Check detection zone.
- Light is swaying (moving) due to gusts of wind or heavy rain.
 - Mount light on a firm surface.

Battery not charging

- Solar panel dirty.
 - Clean solar panel with a soft cloth and mild detergent.
- Solar panel not installed in the best place.
 - Check site of installation (as much direct sunlight as possible).

- It may no longer be possible to recharge the battery after many years of use.
 - Get rechargeable battery changed (replacement XSolar battery, 3.3 V 2.5 AH, EAN 007841006488).
 - Please send the product well-packed to your nearest service station. The rechargeable battery must only be replaced by the manufacturer or qualified electricians.

8. Cleaning and Maintenance

The product requires no maintenance.

Regularly checking the product for damage can prolong its lifespan.

Removing dirt can help to make the product work longer.

Risk of damage to property

Using the wrong detergent can damage the light.

- Make sure detergent does not harm the surface.
- Clean light with a soft cloth and mild detergent.

If solar panel is dirty or weather has left deposits on it:

- Clean solar panel with a soft cloth and mild detergent.

9. Disposal

Electrical and electronic equipment, accessories and packaging must be recycled in an environmentally compatible manner.



Do not dispose of electrical and electronic equipment as domestic waste.

EU countries only:

Under the current European Directive on Waste Electrical and Electronic Equipment and its implementation in national law, electrical and electronic equipment no longer suitable for use must be collected separately and recycled in an environmentally compatible manner.



Do not throw devices, rechargeable batteries/batteries into household waste, fire or water at the end of their useful life.

Rechargeable batteries/batteries should be collected, recycled or disposed of in an environmentally friendly manner.

EU countries only:

In accordance with Directive 2006/66/EC, defective or spent rechargeable batteries/batteries must be recycled. Waste rechargeable batteries/batteries can be returned to the point of purchase or to a collection facility for hazardous substances.

10. Manufacturer's Warranty

STEINEL product:

- Manufactured with the utmost care.
- Tested for proper operation and safety in accordance with applicable regulations.
- With final inspection.

STEINEL warranty:

- Warranty on perfect condition and proper working order.
- 36 months starting on the day the product was sold to the consumer.
- Covers the removal of defects resulting from material flaws or manufacturing faults.
- The warranty will be met by repair or replacement of defective parts at our own discretion.
- The warranty does not cover damage to wearing parts.
- This warranty does not cover damage and defects resulting from improper treatment or maintenance.
- Further consequential damage to other objects is excluded from the warranty.
- Claims under the warranty will only be accepted if the product is returned fully assembled with a brief description of the fault, a receipt or invoice (date of purchase and dealer's stamp).
- Please send the product well packed to the appropriate Service Centre.

Repair service:

- Outside the warranty period.
- Defects not covered by the warranty.
- Ask your nearest service station for the possibility of repair.

Further information: <http://www.steinell.de>

3 YEAR
MANUFACTURER'S
WARRANTY