



● steinel



## Index

1.	About this document	3
2.	General safety precautions	3
3.	System description	4
4.	Electrical connection	9
5.	Installation	10
6.	Function	21
7.	Maintenance and care	23
8.	Disposal	24
9.	Declaration of Conformity	24
10.	Manufacturer's warranty	25
11.	Technical specifications	26
12.	Troubleshooting	27
13.	Legal Notes	28

## 1. About this document

- Under copyright. Reproduction either in whole or in part only with our consent.
- Subject to change in the interest of technical progress.



**Hazard warning!**



**Warning of hazards from electricity!**



**Warning of hazards from water!**

## 2. General safety precautions



**Failure to observe these operating instructions presents hazards!**

These instructions contain important information on the safe use of this product. Particular attention is drawn to potential hazards. Failure to observe this information may lead to death or serious injuries.

- Read instructions carefully.
- Follow safety advice.
- Keep instructions within easy reach.
- Working with electrical current may produce hazardous situations. Touching live parts can result in electrical shock, burns or death.
- Work on mains voltage must only be performed by qualified, skilled personnel.
- National wiring regulations and electrical operating conditions must be observed (e.g. D: VDE 0100, A: ÖVE-ÖNORM E8001-1, CH: SEV 1000).
- Only use genuine replacement parts.
- Repairs must only be carried out by companies qualified to do so.

### 3. System description

#### Proper use

- LED floodlight with infrared motion sensor.
- For indoor and outdoor wall mounting

#### Non-intended use

- The LED floodlight cannot be dimmed.

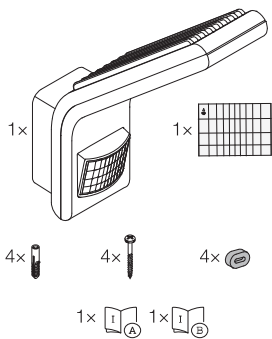


**Not dimmable**

#### Operating principle

- The integrated infrared sensor detects the heat radiated from moving objects (e.g. people, animals). The heat detected in this way is converted electronically into a signal that switches the LED floodlight ON automatically.
- The most reliable way of detecting motion is to install the unit with the sensor aimed across the direction in which a person would walk.
- Motion detection reach is restricted when the unit is approached head on.
- Obstacles (such as trees, walls or panes of glass) may restrict or prevent the detection of movement.
- Sudden fluctuations in temperature as a result of changes in weather are not distinguished from sources of heat.

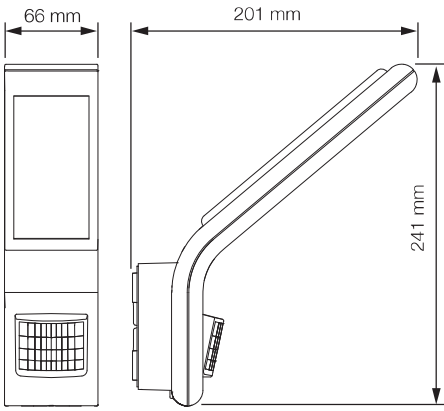
3.1



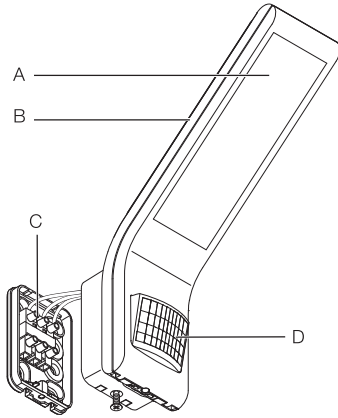
- 1 LED floodlight
- 1 film shroud
- 4 wall plugs
- 4 screws
- 4 spacers
- 1 safety data sheet (A)
- 1 Quick start guide (B)

Product dimensions

3.2

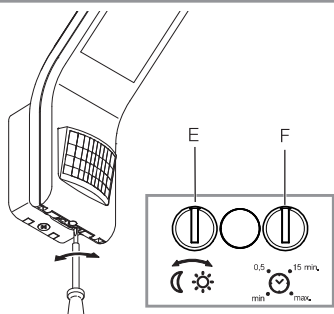


## 3.3



- A LED floodlight head
- B Heat sink
- C Wall mount with plug-in terminal
- D Sensor unit

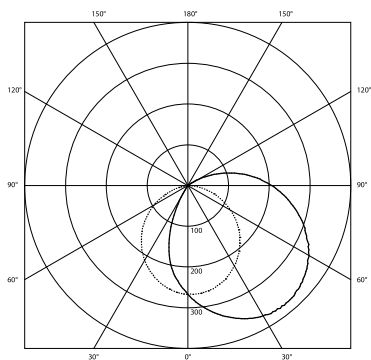
3.4



- E Twilight setting
- F Time setting

### Light distribution curve

3.5

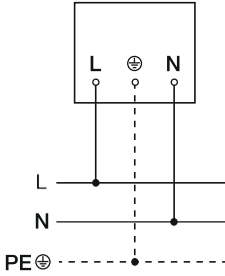




## 4. Electrical connection

### Circuit diagram

4.1

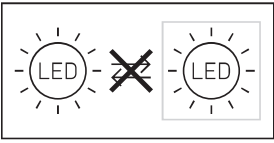


The mains power supply lead is a 3-core cable:

- L** = phase conductor (usually black, brown or grey)
- N** = neutral conductor (usually blue)
- PE** = protective-earth conductor (green/yellow)

The floodlight can also be connected to the power supply downstream of a mains switch if it is ensured that the mains switch is left ON all the time.

The light source of this light cannot be replaced. If the light source needs to be replaced (e.g. at the end of its service life), the complete light must be replaced.



## 5. Installation



### Hazard from electrical power.

Touching live parts can result in electrical shock, burns or death.

- Switch OFF power and interrupt power supply.
- Using a voltage tester, check to make sure that the power supply is disconnected.
- Make sure power supply remains interrupted.

### Risk of damage to property!

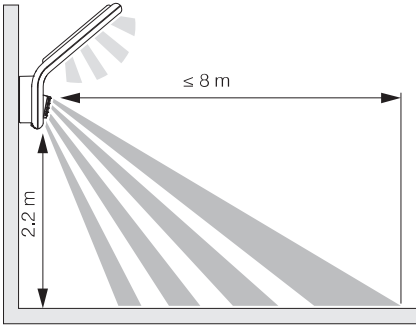
Mixing up connection leads may produce a short circuit.

- Identify connection leads.
- Connect the leads correctly.

### Preparing for installation

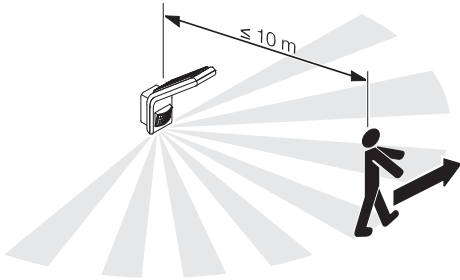
- Check all components for damage. Do not use the product if it is damaged.
- Select an appropriate site to install the product.
  - Take reach into consideration.
  - Take reach and motion detection into consideration.
  - Vibration-free.
  - No obstacles in detection zone.
  - Not in explosive atmospheres.
  - Not on normally flammable surfaces.
  - Do not look into the light source from a short distance (< 30 cm).
  - Spaced at a distance of at least 50 cm from other LED floodlights.

5.1



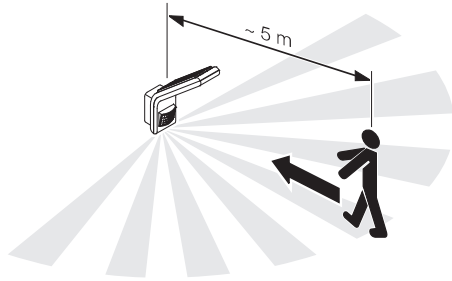
Detecting motion across the direction in which a person walks.

5.2

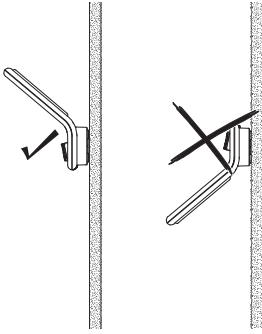


Detecting motion in the direction in which a person walks.

5.3



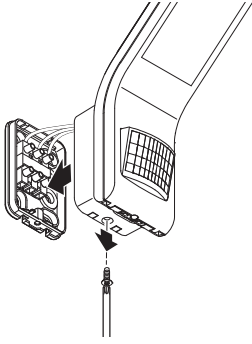
5.4



- Correctly aim floodlight.

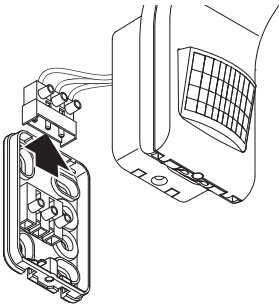
## Mounting procedure

5.5



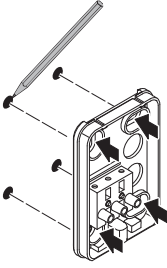
- Check to make sure the power supply is switched OFF.
- Unscrew retaining screw.
- Disconnect LED floodlight head from wall mount.

5.6



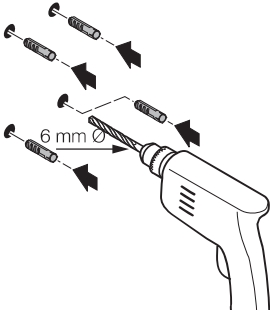
- Detach plug-in terminal from wall mount.

5.7



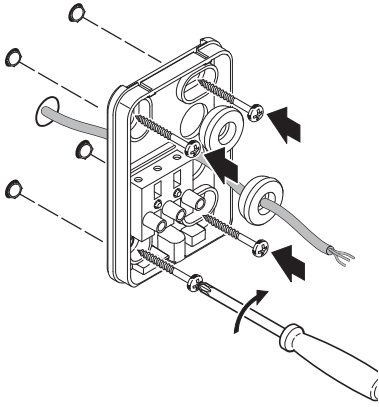
- Mark drill holes.

5.8



- Drill holes ( $\varnothing$  6 mm) and fit wall plugs.

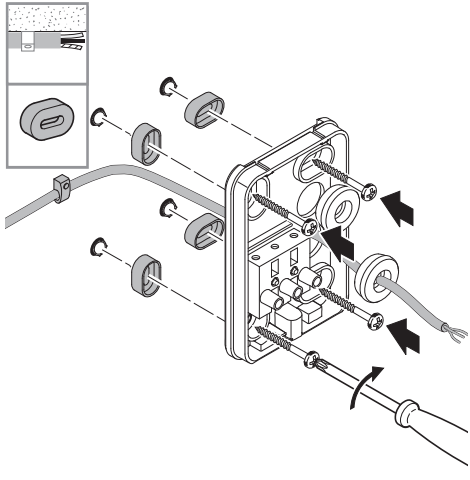
5.9



- Pierce sealing plug for power supply lead
- Firmly screw wall mount into place for concealed power supply lead without spacers.

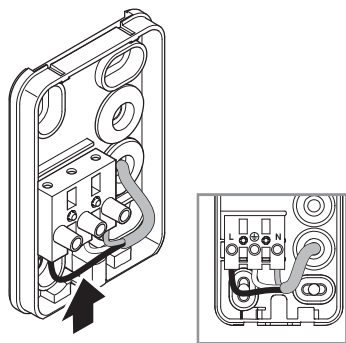


5.10



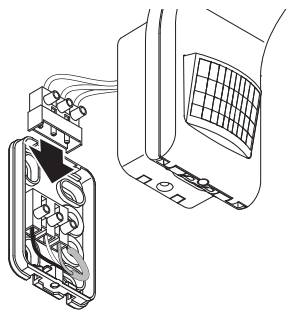
- Pierce sealing plug for power supply lead
- Use spacers to screw down wall mounts for surface-mounted wiring.

5.11



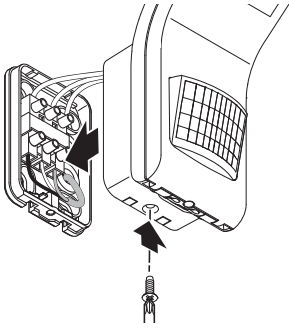
- Connect mains power supply lead as shown in the wiring diagram.  
→ „4. Electrical connection“

5.12



- Connect plug-in terminal.

5.13



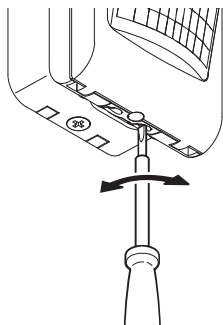
- Fit LED floodlight head on wall mount.
- Screw in locking screw.

5.14



- Switch ON power supply.

5.15



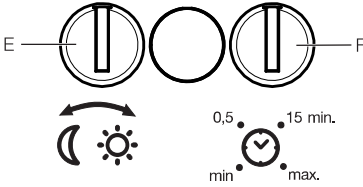
- Make settings.  
→ „6. Function“

**Factory settings**

- Twilight setting: daylight mode 1,000 lux
- Time setting: 2 seconds
- Reach setting: 8 metres

**Control dial**

6.1

**Twilight setting (E)**

The response threshold (twilight) can be infinitely varied from approx. 2 to 1,000 lux.

- ☀ = daylight mode (depending on ambient light level)
- ☾ = night-time operation (approx. 2 lux)

The control dial must be turned to ☀ when adjusting the detection zone and performing the functional test in daylight.

**Time setting (F)**

The stay-ON time) can be set to any period from approx. 2 seconds to a maximum of 70 minutes. Every movement detected re-activates the light.

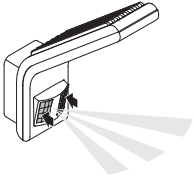
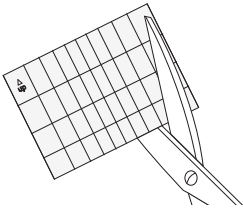
**Note:** after the LED floodlight switches OFF, it takes approx. 1 second before it is able to start detecting movement again. The LED floodlight can then switch ON again in response to movement.

The shortest time setting is recommended when adjusting the detection zone and performing the functional test.

### Adjusting the detection zone

To rule out inadvertent triggering or to target specific areas, the detection zone can be limited or adjusted with the film shroud. The film shroud is stuck onto the sensor unit.

6.2



- Once cut to size, stick the film shroud onto the sensor unit.

## 7. Maintenance and care

The tool requires no maintenance.



**Hazard from electrical power.**

Contact between water and live parts can result in electric shock, burns or death.

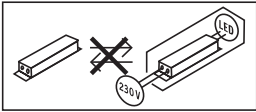
- Only clean tool in a dry state.

**Risk of damage to property!**

Using the wrong cleaning product can damage the light.

- Clean tool with a moist cloth without detergent.

**Important note:** the control gear cannot be replaced.



## 8. Disposal

Electrical and electronic equipment, accessories and packaging must be recycled in an environmentally compatible manner.



**Do not dispose of electrical and electronic equipment as domestic waste.**

### **EU countries only:**

Under the current European Directive on Waste Electrical and Electronic Equipment and its implementation in national law, electrical and electronic equipment no longer suitable for use must be collected separately and recycled in an environmentally compatible manner.

## 9. Declaration of Conformity

STEINEL Vertrieb GmbH hereby declares that the XLED home slim S radio equipment type conforms to Directive 2014/53/EU.

The full wording of the EU Declaration of Conformity is available for downloading from the following Internet address: [www.steinel.de](http://www.steinel.de)



## 10. Manufacturer's warranty

This Steinel product has been manufactured with utmost care, tested for proper operation and safety and then subjected to random sample inspection. Steinel guarantees that it is in perfect condition and proper working order. The warranty period is 36 months and starts on the date of sale to the consumer. We will remedy defects caused by material flaws or manufacturing faults. The warranty will be met by repair or replacement of defective parts at our own discretion. The warranty shall not cover damage to wear parts, damage or defects caused by improper treatment or maintenance. Further consequential damage to other objects shall be excluded.

Claims under the warranty will only be accepted if the unit is sent fully assembled and well-packed with a brief description of the fault, a receipt or invoice (date of purchase and dealer's stamp) to the appropriate Service Centre.

### **Repair service:**

If defects occur outside the warranty period or are not covered by the warranty, ask your nearest service station for the possibility of repair.

**3** YEAR  
MANUFACTURER'S  
WARRANTY

## 11. Technical specifications

- Dimensions (H × W × D): 241 × 66 × 201 mm
- Power supply: 230-240 V, 50/60 Hz
- Power consumption ( $P_{on}$ ): 7.20 W
- Luminous flux (360°):
  - white: 720 lm
  - anthracite: 648 lm
- Efficiency:
  - white: 100 lm/W
  - anthracite: 90 lm/W
- Standby sensor ( $P_{sb}$ ): 0.30 W
- Weight: 0.560 kg
- Projected area:
  - viewed from front: 159 cm<sup>2</sup>
  - Viewed from side: 101 cm<sup>2</sup>
- Mains current: 45 mA
- Power factor: 0.73
- Colour temperature: 3,000 K (warm white) SDCM 2
- Colour rendering index:  $R_a = 82$
- Average rated life expectancy:
  - L70B50 at 25°C: >60,000 hours
- Colour consistency SDCM: starting value: 3
- Luminous intensity distribution:



- Detection reach: 8 m
- Angle of coverage: 160° with sneak-by guard
- Time setting: 2 s - 70 min
- Twilight setting: 2 - 1,000 lux
- IP rating: IP44
- Protection class: I
- Ambient temperature: -20 to +40°C

## 12. Troubleshooting

### Unit without power.

- Fuse not switched ON or faulty.
  - Switch ON fuse.
  - Change faulty fuse.
- Break in wiring.
  - Check wiring with voltage tester.
- Short circuit in mains power supply lead.
  - Check connections.
- Any mains switch OFF
  - Switch ON mains switch.

### Unit does not switch ON.

- Wrong twilight setting selected.
  - Reset twilight setting.
- Mains switch OFF.
  - Turn on mains switch.
- Fuse not switched ON or faulty.
  - Switch ON fuse.
  - Change faulty fuse.
- Rapid movements being suppressed to minimise malfunctioning, or detection zone too small or incorrectly defined.
  - Check and adjust detection zone.
- Light source faulty.
  - The light source cannot be changed. Completely replace unit.

### Unit does not switch OFF.

- Continued movement within the detection zone.
  - Check detection zone.
  - If necessary, limit or change detection zone.

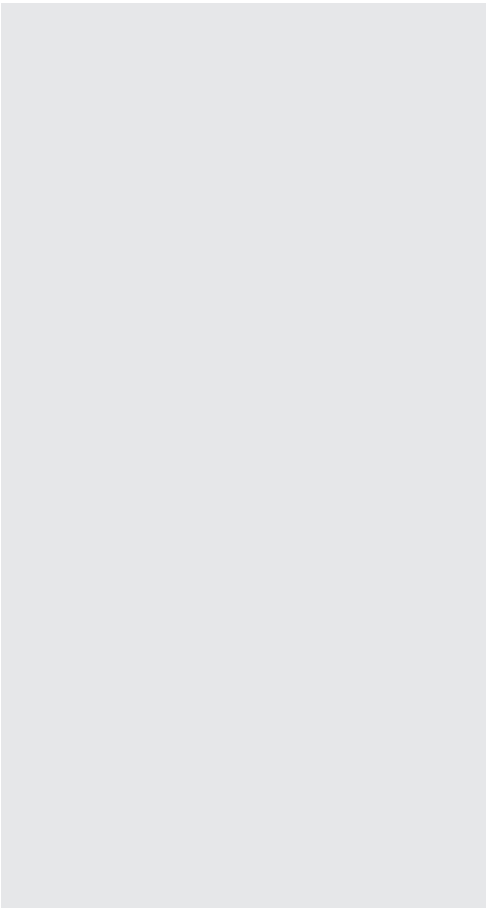
**Unit switches ON when it should not.**

- Floodlight not mounted for detecting movement reliably.
  - Securely mount floodlight.
- Movement occurred but not identified by the observer (movement behind wall, small object moving in immediate proximity of lamp etc.).
  - Check detection zone.
  - If necessary, limit or change detection zone.

## 13. Legal Notes

**Safety**

The unit is not suitable for use with burglar alarm systems as it is not tamperproof in the manner prescribed. Weather conditions may affect the way the device works.





**Contact**  
[www.steinel.de/contact](http://www.steinel.de/contact)

