



LED

3000 K



infrared sensor
160°



max. 8 m



IP44



2 - 1000 lux



2 sec - 70 min



ideal 2 m



energy saving

3 years

manufacturer's
warranty
steinel.de/
garantie3y

Function description

Light meets elegance. Elegantly designed sensor LED floodlight with 7,2 W, ideal for building entrances and pathways, pleasant and effective light (648 lm) requiring very little energy, sensor reach of up to 8 m.

Technical specifications

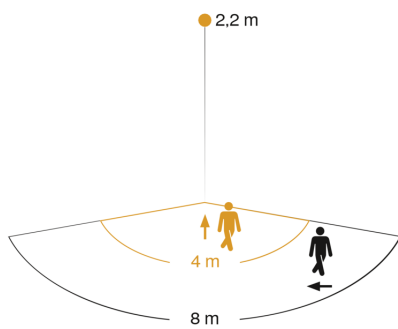
Dimensions (L x W x H)	201 x 66 x 241 mm	Mechanical scalability	No
With lamp	Yes, STEINEL LED system	Reach, radial	r = 4 m (22 m ²)
With motion detector	Yes	Reach, tangential	r = 8 m (89 m ²)
Manufacturer's Warranty	3 years	Photo-cell controller	Yes
Settings via	Potentiometers	Cover material	sticker
Version	Anthracite	Luminous flux total product	648 lm
PU1, EAN	4007841012052	Measured luminous flux (360°)	648 lm
Application, place	Outdoors	Total product efficiency	90 lm/W
Application, room	outdoors, all round the building, terrace / balcony	Colour temperature	3000 K
Colour	Anthracite	Colour variation LED	SDCM3
Includes corner wall mount	No	Lamp	LED cannot be replaced
Installation site	wall	LED life expectancy (max. °C)	50000 h
Installation	Wall, Surface wiring	Service life LED L70B50 (25°)	> 60000 h
Impact resistance	IK03	Drop in luminous flux in accordance with LM80	L70B10
IP-rating	IP44	LED cooling system	Active and Passive Thermo Control
Protection class	I	Soft light start	No
Ambient temperature	-20 – 40 °C		

Technical specifications

Housing material	Aluminium
Cover material	Plastic, transparent
Mains power supply	220 – 240 V / 50 – 60 Hz
Mounting height max.	4,00 m
Sneak-by guard	Yes
Electronic scalability	No

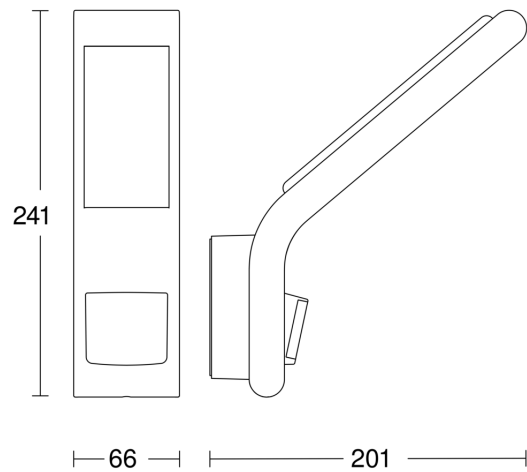
Time setting	2 s – 70 Min.
Main light adjustable	No
Interconnection	No
Output	7,2 W
Colour Rendering Index CRI	= 82
Optimum mounting height	2,2 m
Detection angle	160 °

Detection Zone



Mögliche Montagehöhe: 1,80 m – 4,00 m
Orange: radial
Schwarz: tangential

Dimension Drawing



Circuit diagram

