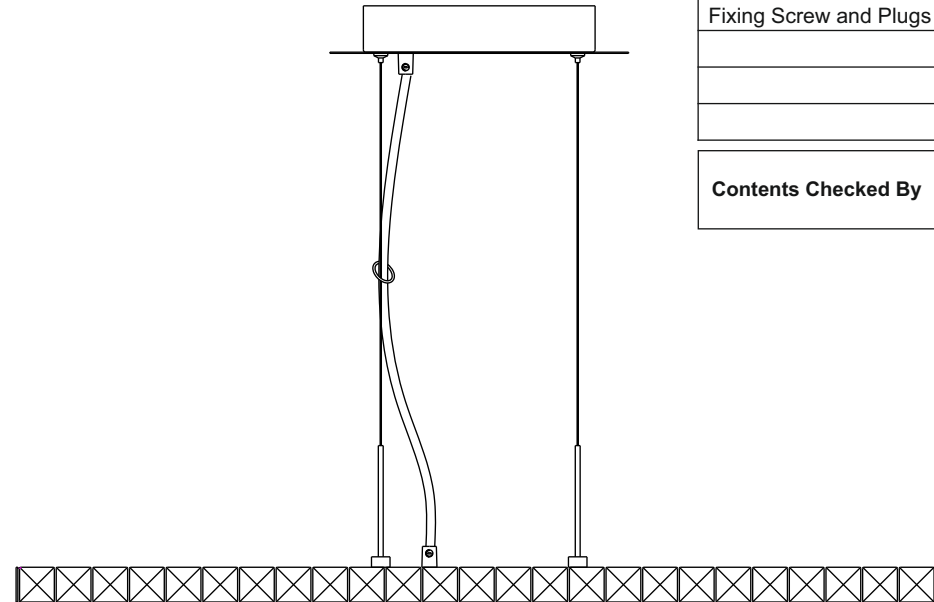
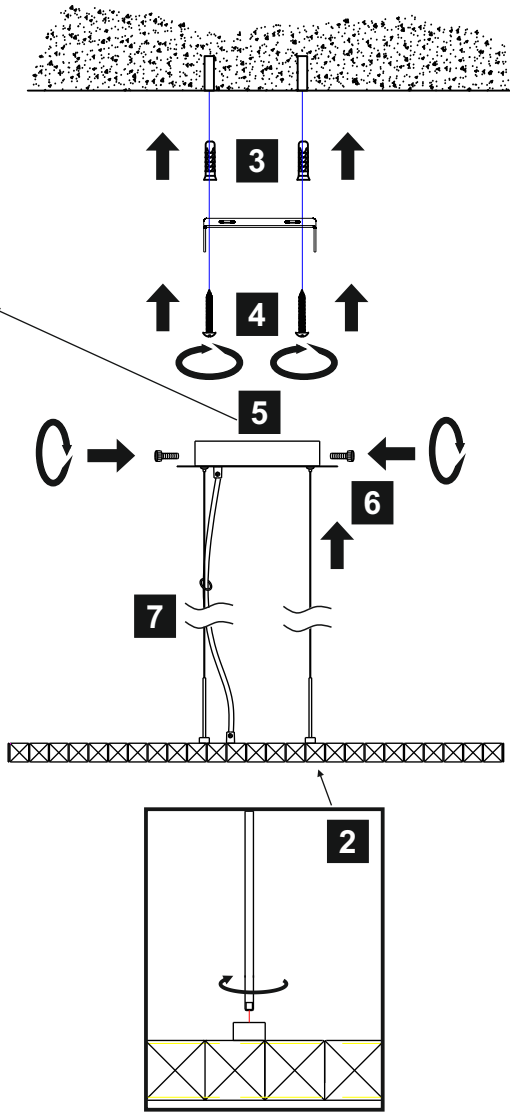
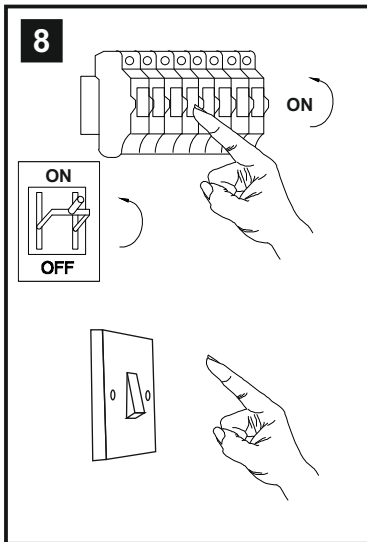
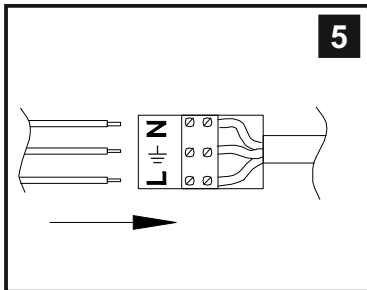
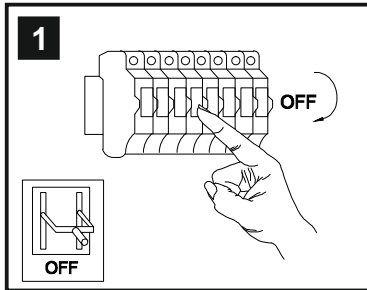


INSTALLATION INSTRUCTIONS

(ILLUSTRATIONS ARE FOR GUIDANCE PURPOSES ONLY.
ACTUAL PRODUCT MAY DIFFER FROM THE IMAGES SHOWN)



⚠️ INSTALLATION NOTES

(1) Prior to installation carefully unpack and check all the components and accessories as per details enclosed.

(2) These instructions should be used in conjunction with the installation guidelines included.

Installation Pack

White Gloves	2 Pcs	
Installation Instructions	1 Pages	
Installation Guidelines	2 Pages	
Fixing Screw and Plugs	2 Sets	

Contents Checked By	
---------------------	--

Voltage: 230V - 50/60Hz
Lampholder: LED
Lamps: 60 x 0.2W Max



Galaxy IL80045

diyas®