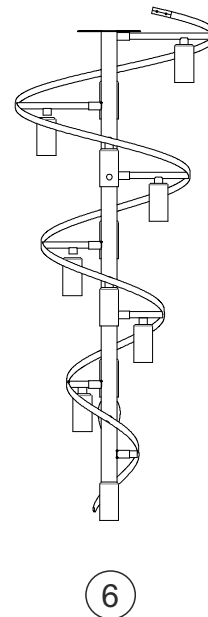
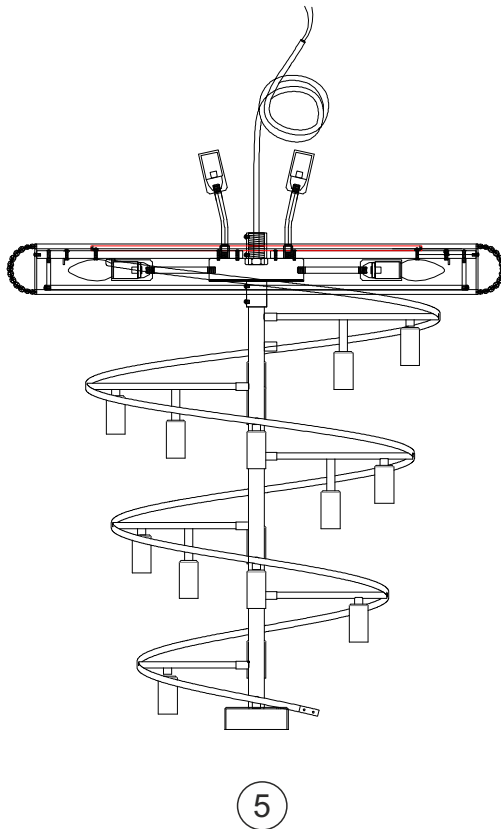
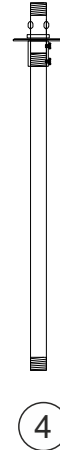
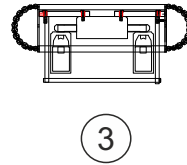
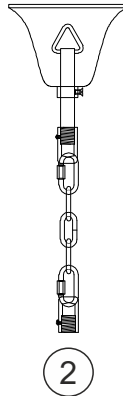
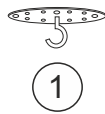


# INSTALLATION INSTRUCTIONS

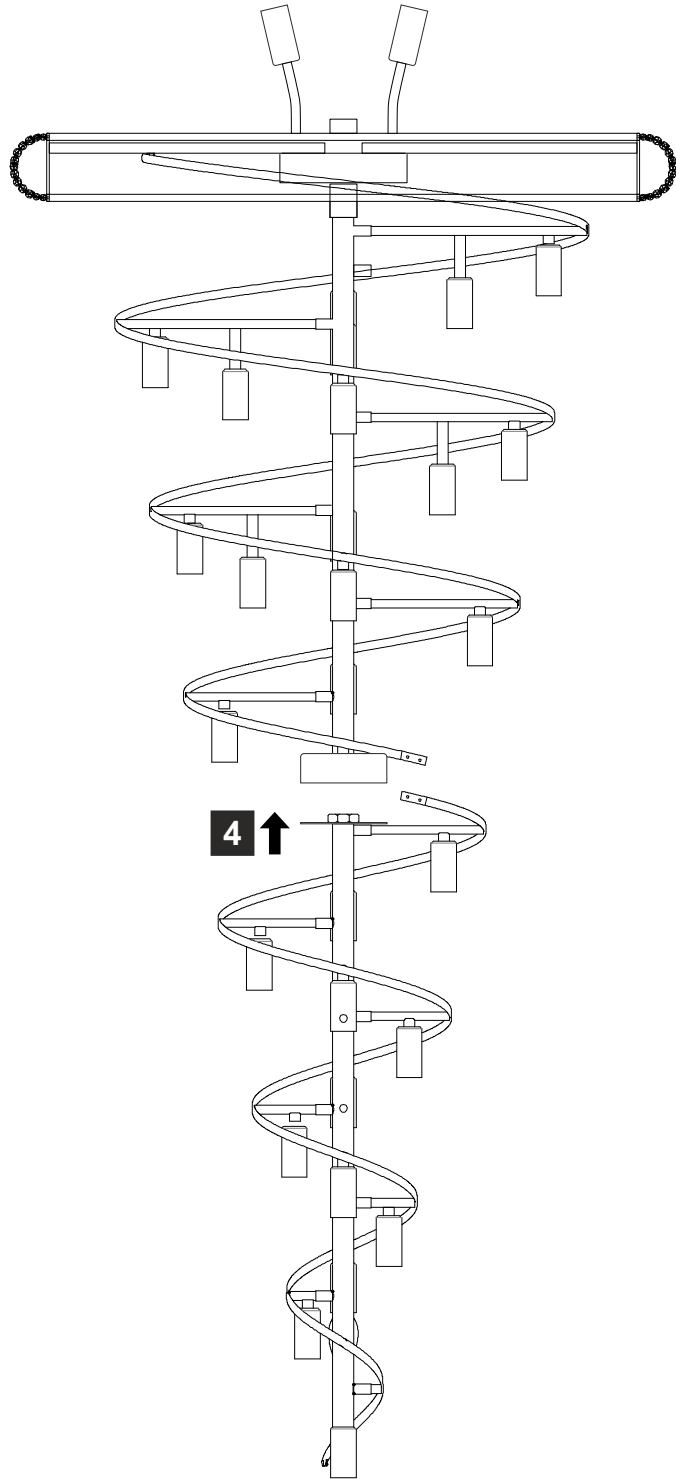
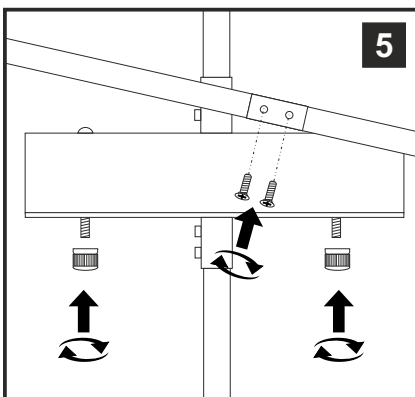
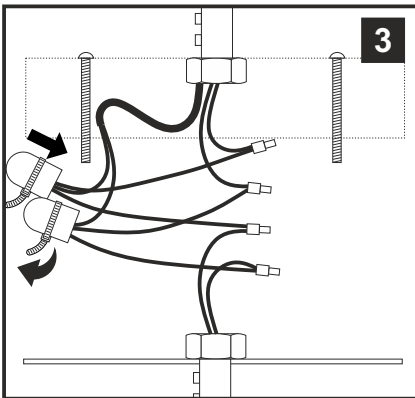
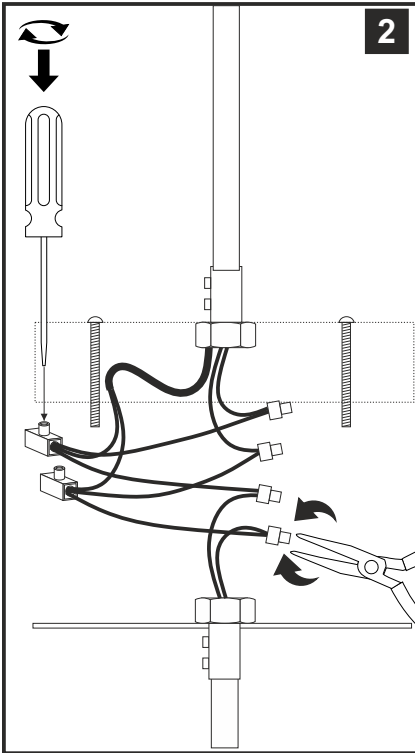
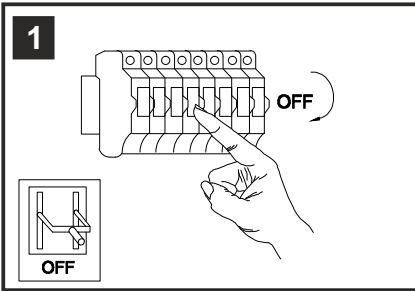
(ILLUSTRATIONS ARE FOR GUIDANCE PURPOSES ONLY. ACTUAL PRODUCT MAY DIFFER FROM THE IMAGES SHOWN)

## COMPONENT PARTS



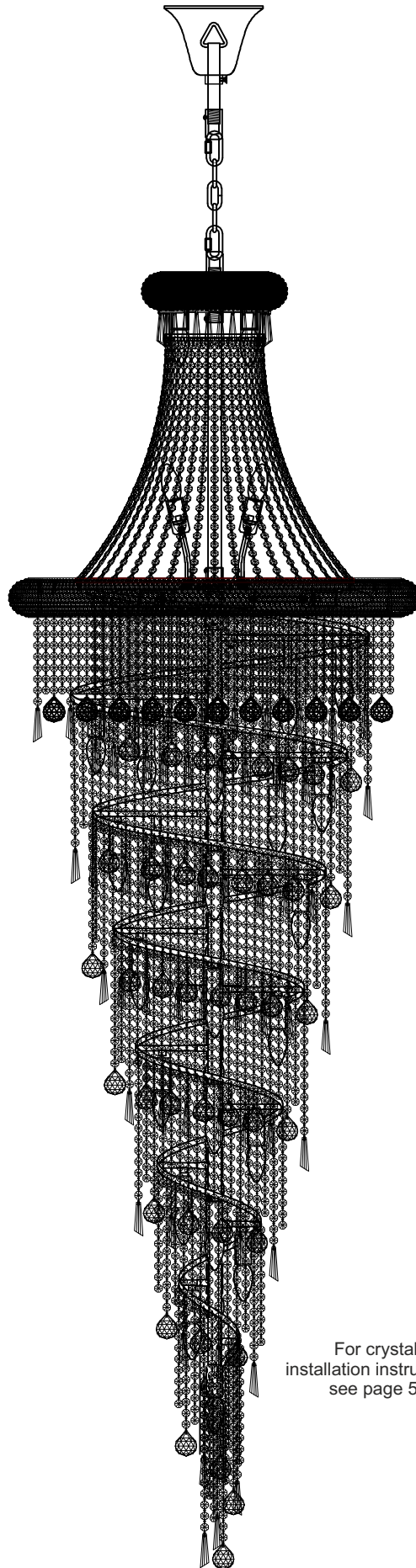
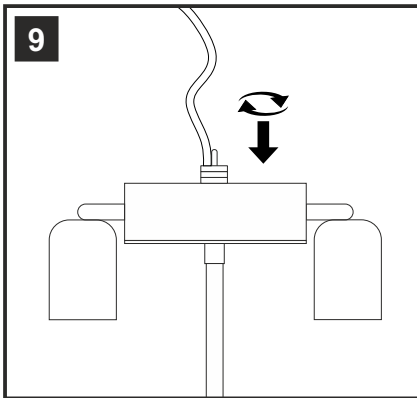
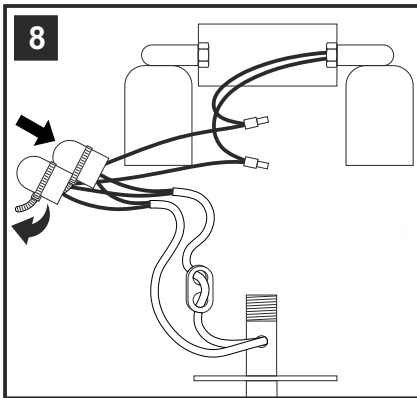
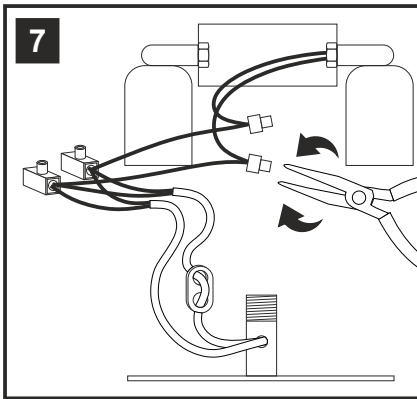
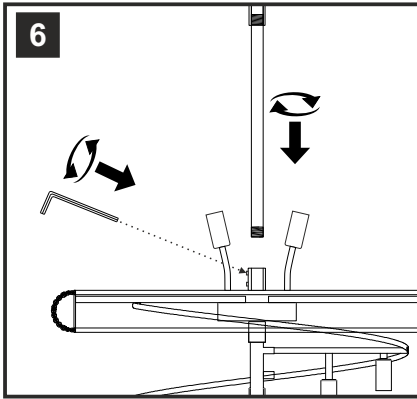
# INSTALLATION INSTRUCTIONS

(ILLUSTRATIONS ARE FOR GUIDANCE PURPOSES ONLY. ACTUAL PRODUCT MAY DIFFER FROM THE IMAGES SHOWN)



# INSTALLATION INSTRUCTIONS

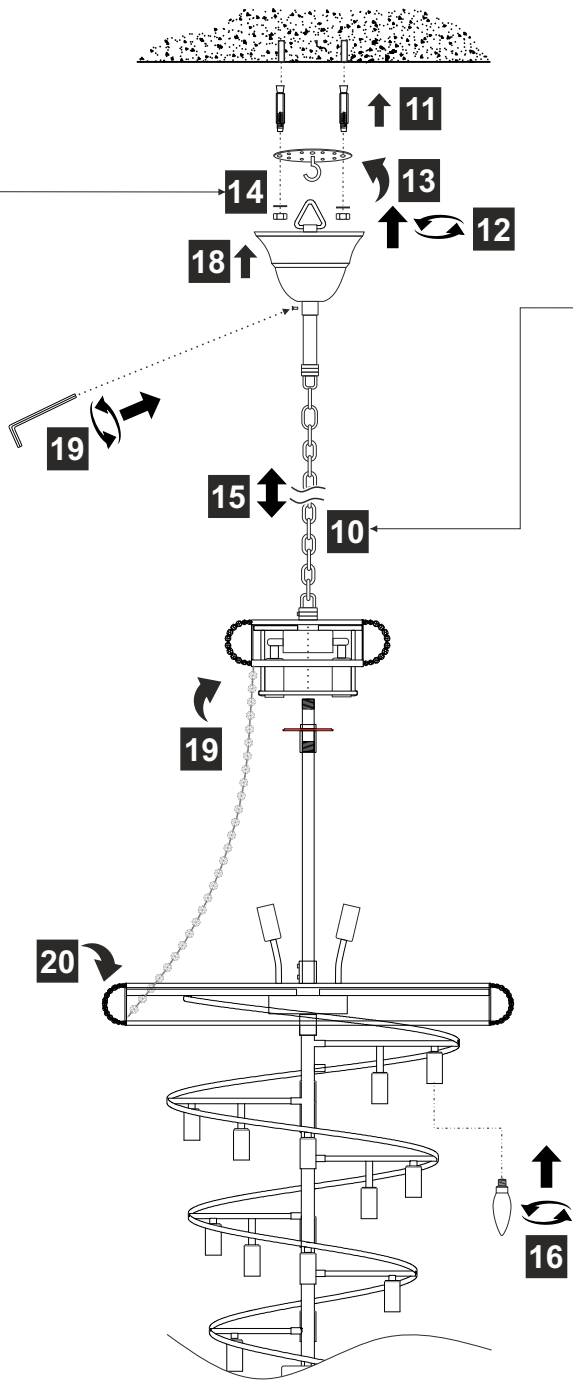
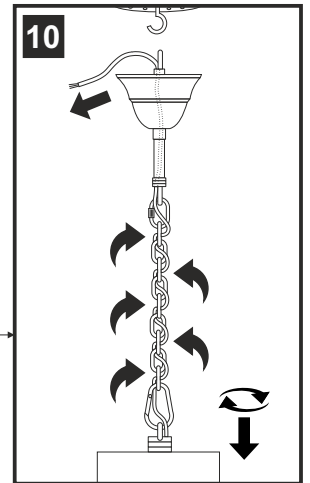
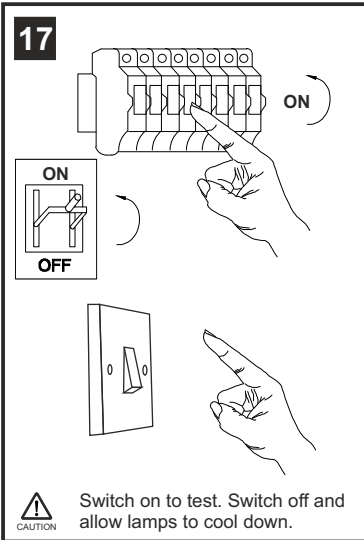
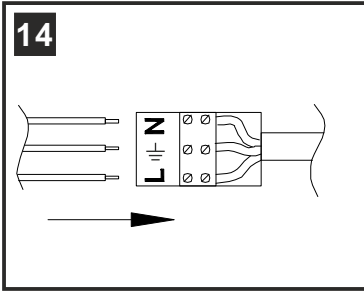
(ILLUSTRATIONS ARE FOR GUIDANCE PURPOSES ONLY. ACTUAL PRODUCT MAY DIFFER FROM THE IMAGES SHOWN)



For crystal  
installation instructions  
see page 5.

# INSTALLATION INSTRUCTIONS

(ILLUSTRATIONS ARE FOR GUIDANCE PURPOSES ONLY. ACTUAL PRODUCT MAY DIFFER FROM THE IMAGES SHOWN)

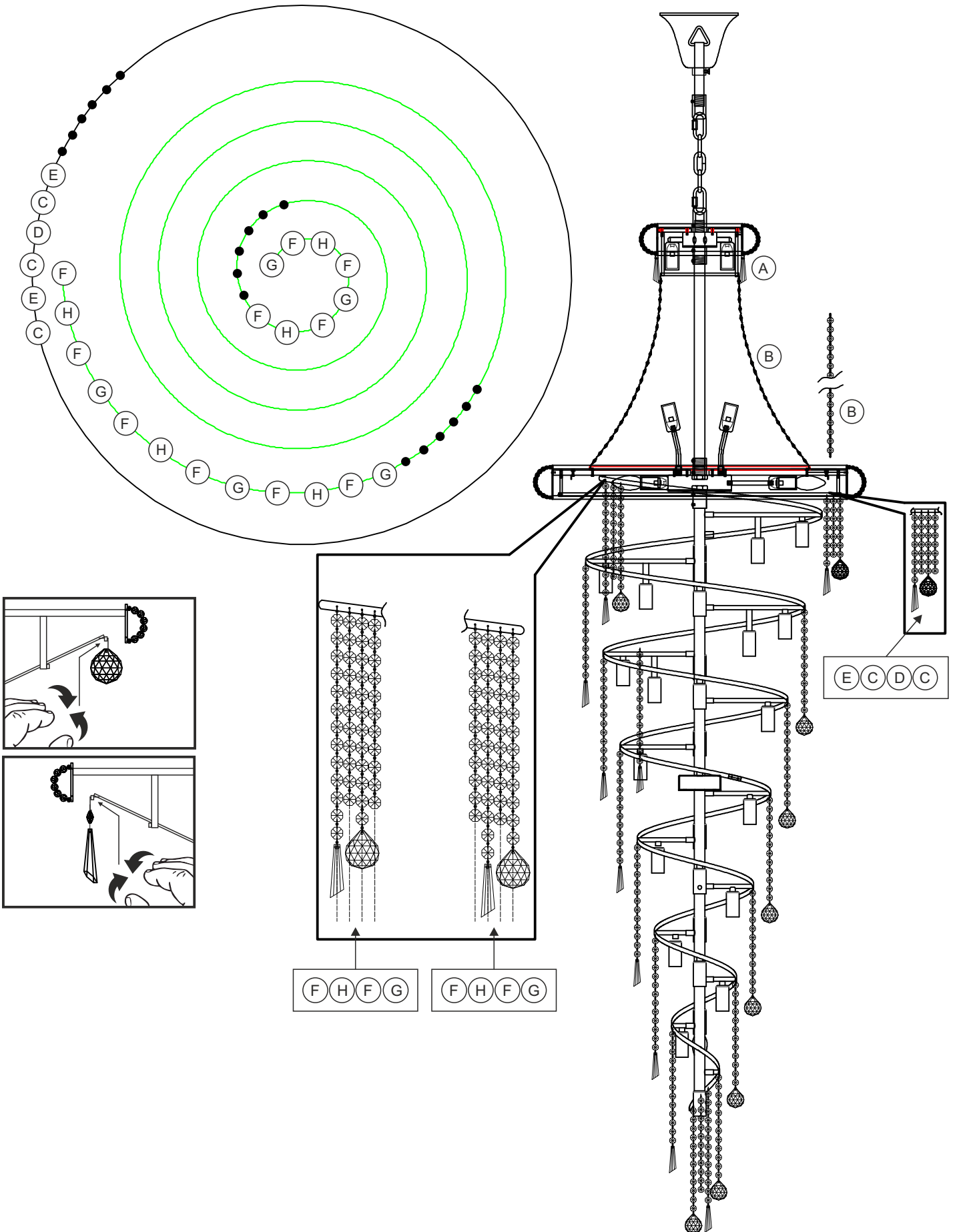


**Voltage:** 220-240V~50/60Hz  
**Lampholder:** E14/SES  
**Lamps:** 63 x LED 20W Max



# INSTALLATION INSTRUCTIONS

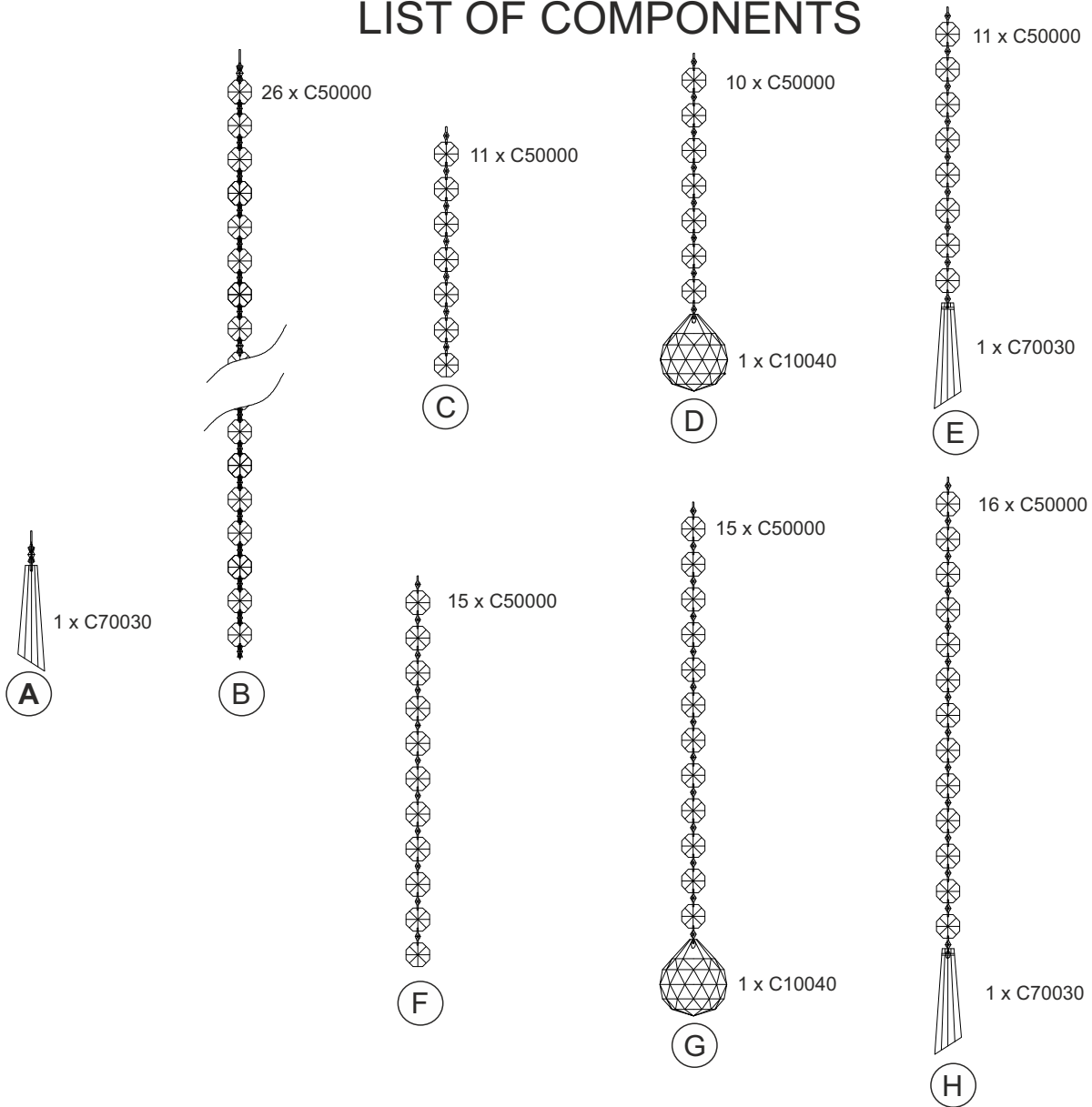
(ILLUSTRATIONS ARE FOR GUIDANCE PURPOSES ONLY. ACTUAL PRODUCT MAY DIFFER FROM THE IMAGES SHOWN)



# INSTALLATION INSTRUCTIONS

(ILLUSTRATIONS ARE FOR GUIDANCE PURPOSES ONLY. ACTUAL PRODUCT MAY DIFFER FROM THE IMAGES SHOWN)

## LIST OF COMPONENTS



### Crystal Accessories

Crystal A	52 Pcs	
Crystal Strand B	45 Pcs	
Crystal Strand C	78 Pcs	
Crystal Strand D	39 Pcs	
Crystal Strand E	39 Pcs	
Crystal Strand F	294 Pcs	
Crystal Strand G	147 Pcs	
Crystal Strand H	147 Pcs	

### Installation Pack

White Gloves	2 Pcs	
Installation Instructions	6 Pages	
Installation Guidelines	2 Pages	
Heavy Duty Bolts	8 Sets	
Additional Crystal Links	5 Pcs Each	

**Contents Checked By**