

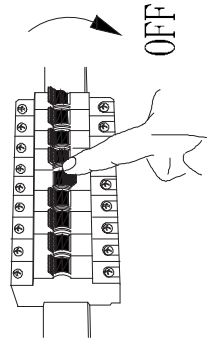
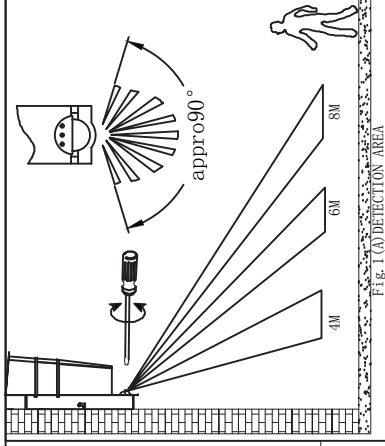
A**B**

FIG. 1 (A) DETECTION AREA

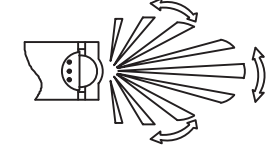


Fig. 1 (B) GOOD

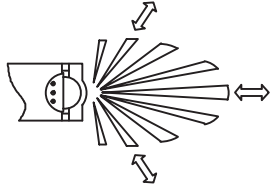
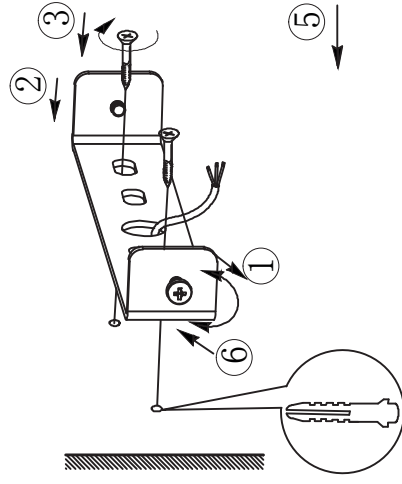
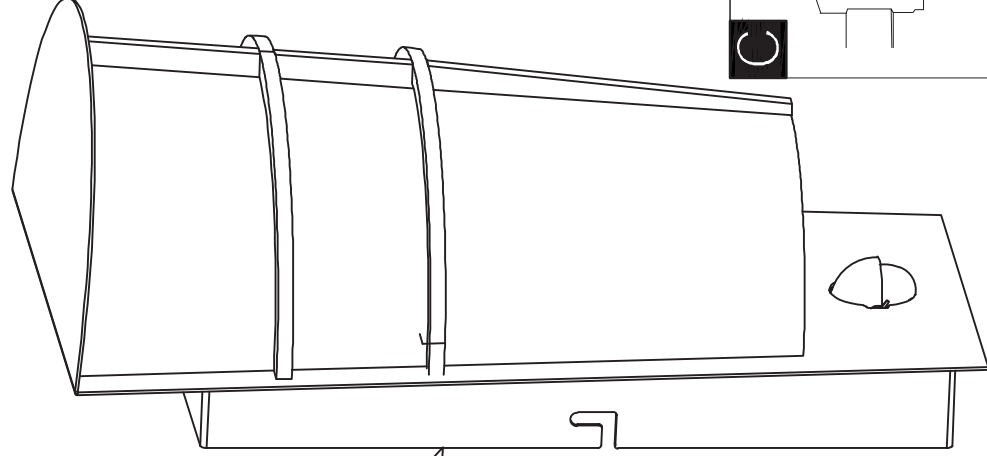
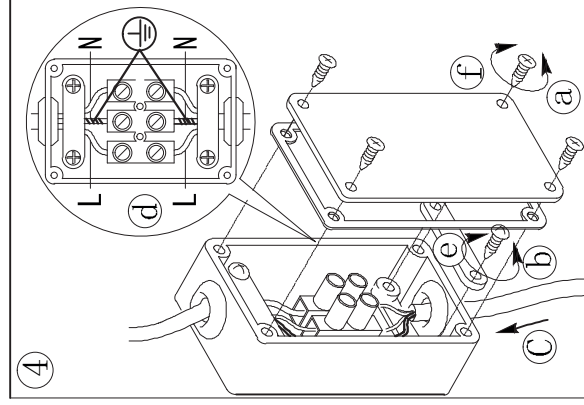
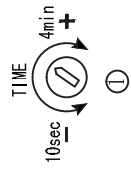
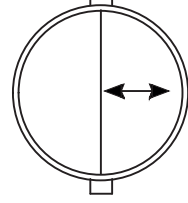


Fig. (C) NOT GOOD

**C**