



Pipe Single

Ceiling fixture Pipe Single GU10 8 White 302lm

Technical features

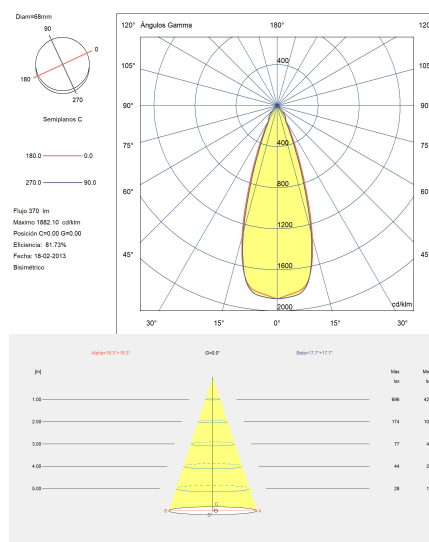
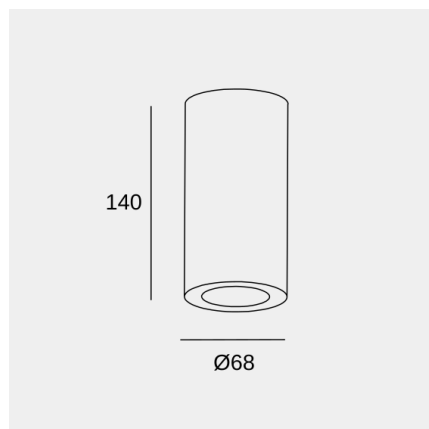
- Luminaire total power: 8W
- Lens / reflector angle: MEDIUM 36°
- Structure material: Aluminium, Steel
- Structure finish: White
- Recommended light bulb: GU10
- Voltage / frequency: 100-240V/50-60Hz
- Warranty: 5 años
- Easily recyclable luminaire



Luminotechnic features

- Luminance C0°G65°: 2484
- Luminance C90°G65°: 2223

Lampholder	Quantity	Light source power (W)
GU10	1	Max. power 8W



Photometric test performed with a standard bulb

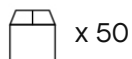
Image may not match reference. LedsC4 reserves the right to amend any of the product's components. The data related to flux, power and colour temperature may be subject to changes made by the manufacturer.



Pipe Single

Ceiling fixture Pipe Single GU10 8 White 302lm

Logistics



x 50

Net weight (kg): 0.28

Packaged weight (kg): 0.39

Packaging: 95mm x 95mm x 155mm

Light application

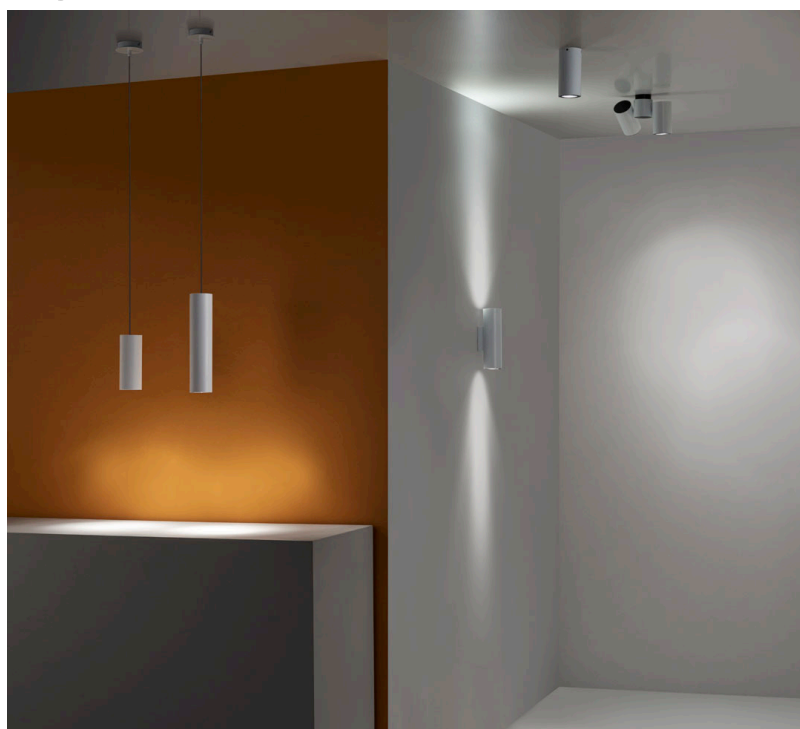


Image may not match reference. LedsC4 reserves the right to amend any of the product's components. The data related to flux, power and colour temperature may be subject to changes made by the manufacturer.



Pipe Single

Ceiling fixture Pipe Single GU10 8 White 302lm

Optional accessories



71-0073-05-05

Black ring

Structure material: Steel
Dimensions: 68 x NA x 20
Net weight (kg): 0.05



71-0073-14-14

White ring

Structure material: Steel
Dimensions: 68 x NA x 20
Net weight (kg): 0.05



71-0073-DL-DL

Gold ring

Structure material: Steel
Dimensions: Ø68 x NA x 20
Net weight (kg): 0.05



71-0073-J6-J6

Brown ring

Structure material: Steel
Dimensions: Ø68 x NA x 20
Net weight (kg): 0.05



71-0073-Z5-Z5

Anthracite ring

Structure material: Steel
Dimensions: Ø68 x NA x 20
Net weight (kg): 0.05

Image may not match reference. LedsC4 reserves the right to amend any of the product's components. The data related to flux, power and colour temperature may be subject to changes made by the manufacturer.