

HUBBLE GU10 Aluminium Spotlight

Designer: Francesc Vilaró

**Description**

Spotlight for outdoor use.

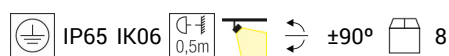
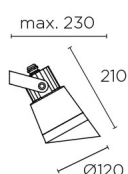
With adjustable lighting positioning. Includes visor. Adjustable light source. Structure material: High purity aluminium. Structure finish: Grey. Diffuser material: Glass. Diffuser finish: Tempered. UV protection. Warranty: 5 Years.

Finish

Grey
Tempered

Material

High purity aluminium
Glass

**TECHNICAL CHARACTERISTICS****Light source**

Lampholder: 1 x GU10
Output (W): MAX 50W
Total power consumption (W): 50
Lamp maximum dimension: 80/ mm
Real Lumen: 224
Quantity: 1
Lm/Real W: 4
UGR: 11.2

Luminaire

Double cable exit: No
Drainage: No
Uv Protection: Yes
Warranty: 5 Years

Logistics

Energy Efficiency: NO BULB
EAN Code: 8435111074992
Net Weight (Kg): 0.680
Weight in Kg (packaged): 0.851
Packing: 190 x 165 x 110
Masterbox: 8

OPTIONAL ACCESSORIES



71-9487-34-34

3x1 Pole

Structure material: Galvanized steel
Dimensions: 0 x x 830
Net Weight (Kg): 0.000



71-9746-05-05

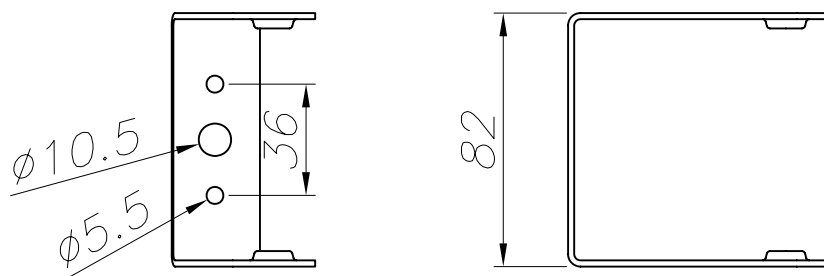
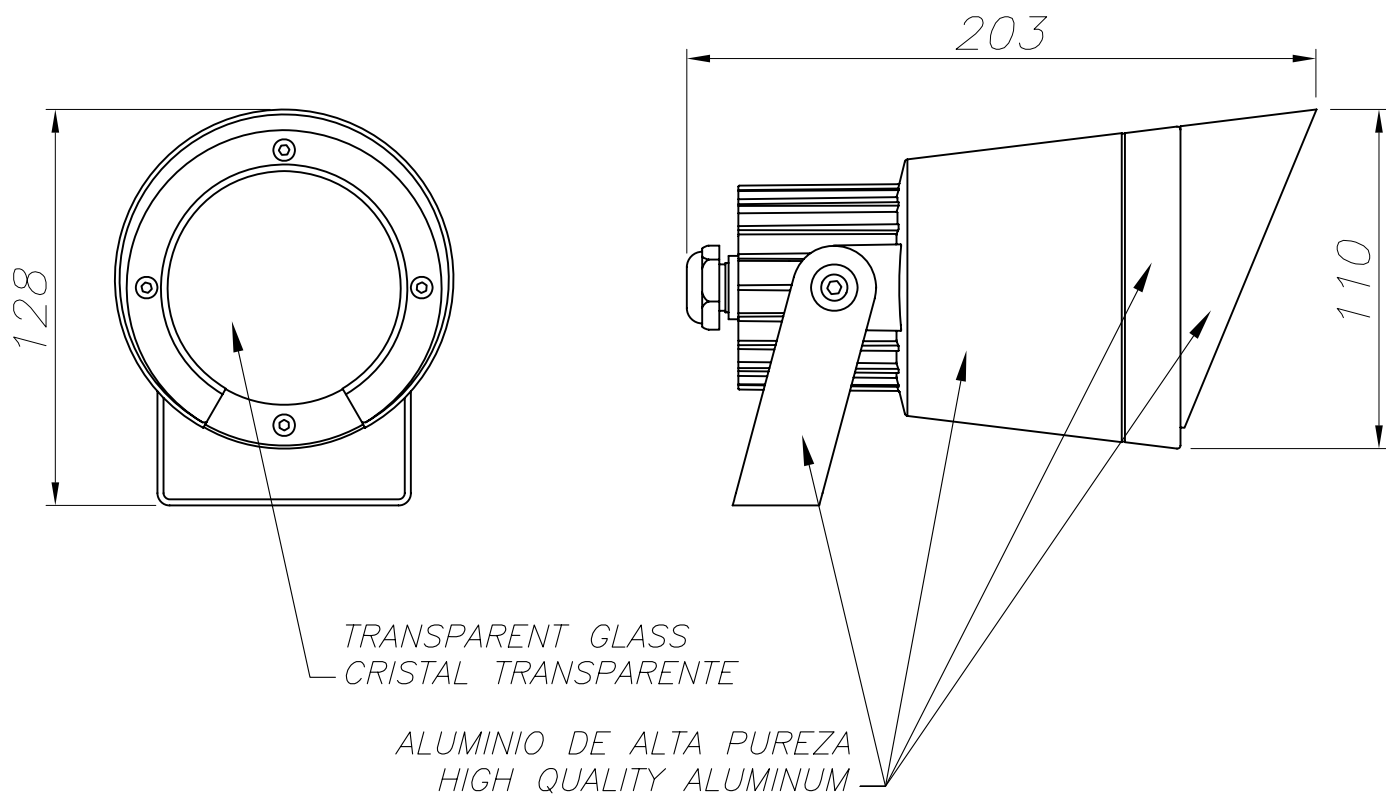
Attachment

Structure material: Polycarbonate
Net Weight (Kg): 0.110



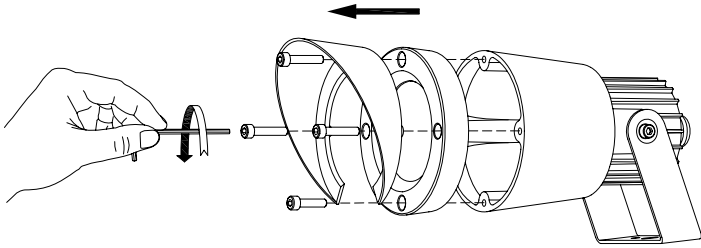
71-9487-34-34V1

Structure material: Galvanized steel
Net Weight (Kg): 0.790

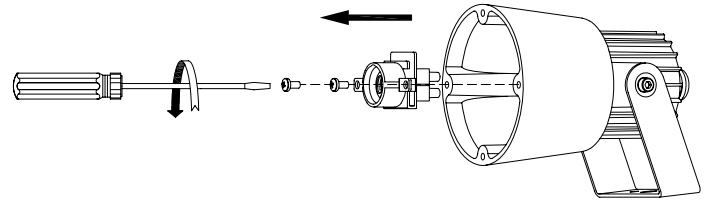


PLANTILLA DE INSTALACIÓN
INSTALLATION TEMPLATE

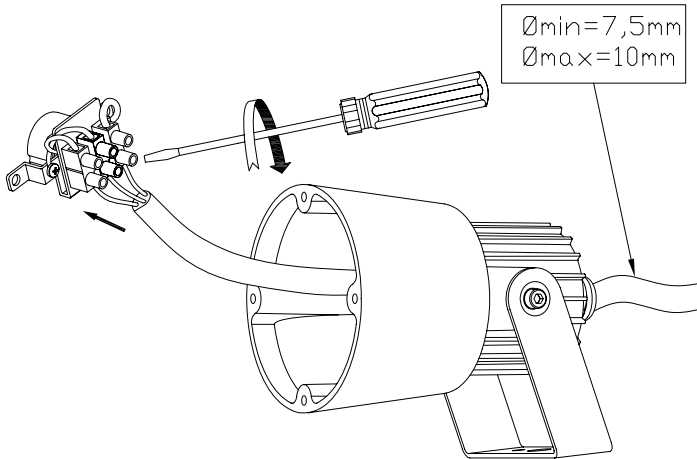
①



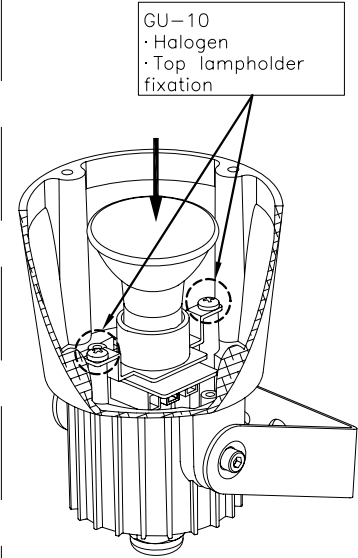
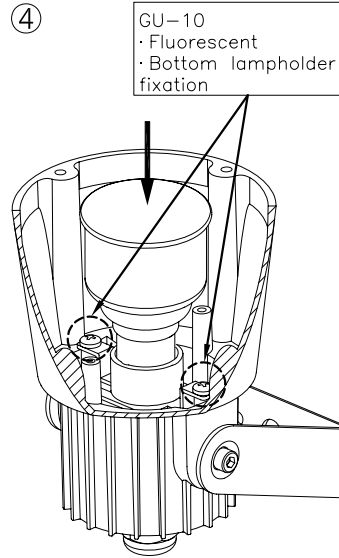
②



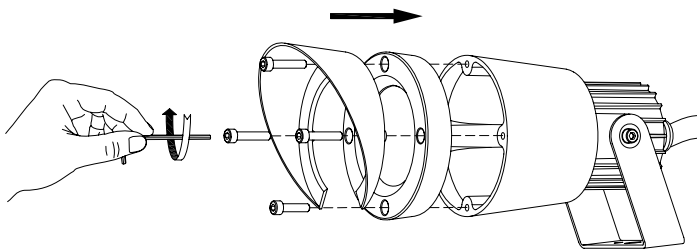
③



④



⑤



⑥

