

Link Wall fixture

Designer: Josep Patsí



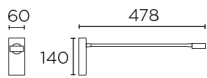
Description

Wall light for indoor use.

For downlighting.. Design by J. Patsi. Minimalist design. Highly versatile, multiple installations. No visible screws. Optimum visual comfort. High durability for intensive use. Adjustable light source. Structure material: Aluminium. Structure finish: White. Warranty: 5 Years.

Finish
White

Material
Aluminium



TECHNICAL CHARACTERISTICS

Light source

Light source: LED CREE
Output (W): 2.1W
Total power consumption (W): 4 W
Color temperature: Warm White - 2700K
CRI: 80
Real Lumen: 121
Qty Leds: 1
Lm/Real W: 30
Life Time: 40.000h L90B10
Bin / Grup: 8A3 o 8D2
MacAdam steps: 3
UGR: 14.1
Photobiological risk: RG2

GEAR

Brand: HEP
Gear included: Yes, electronic
Voltage / Frequency:
100-240VAC/50-60Hz
Power Factor: 0.43
Dimming protocol: Touch dimmer
Flickering: 4.1%

Luminaire

Recessed: No
Warranty: 5 Years

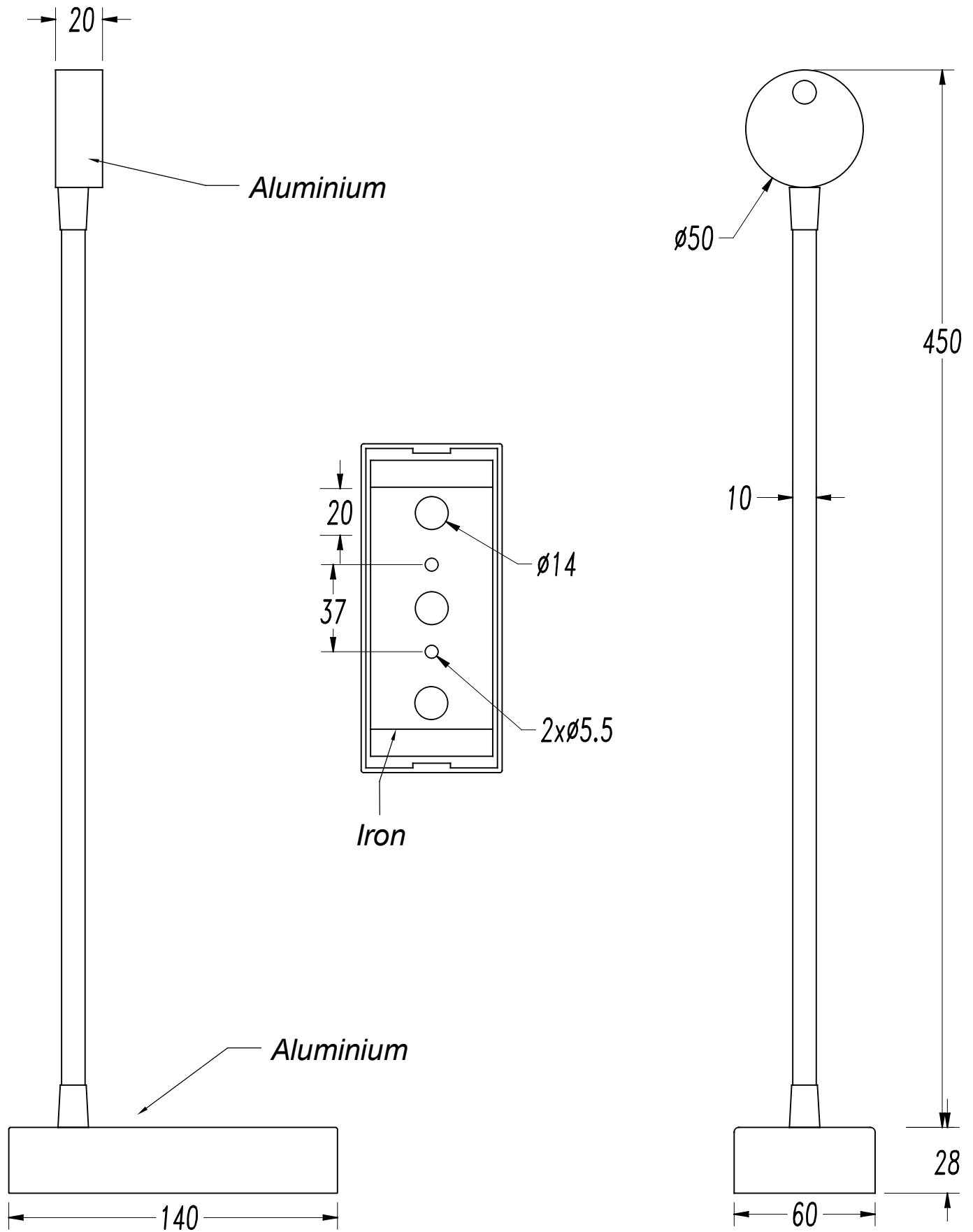
Logistics

Energy Efficiency: LED A++
EAN Code: 8435526865130
Net Weight (Kg): 0.000
Packing: - x - x -

Light source

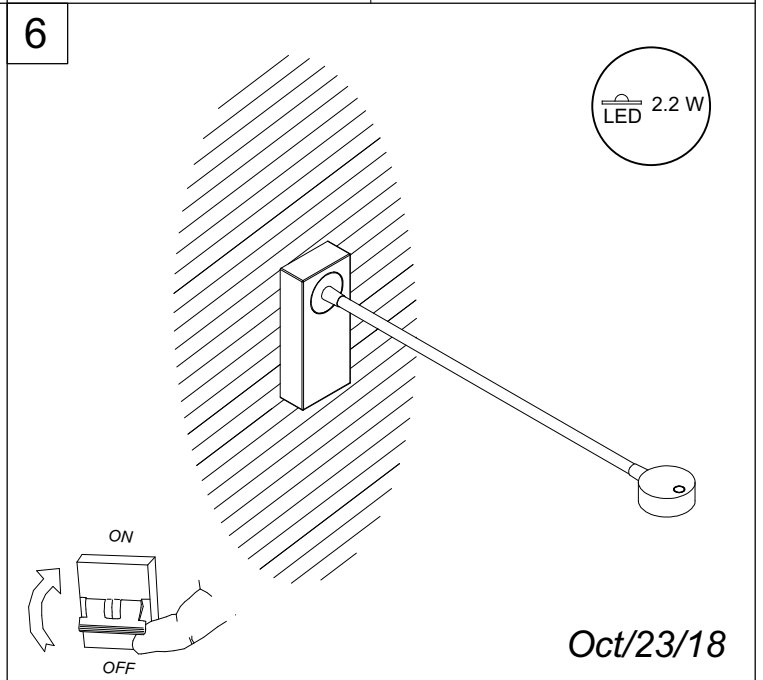
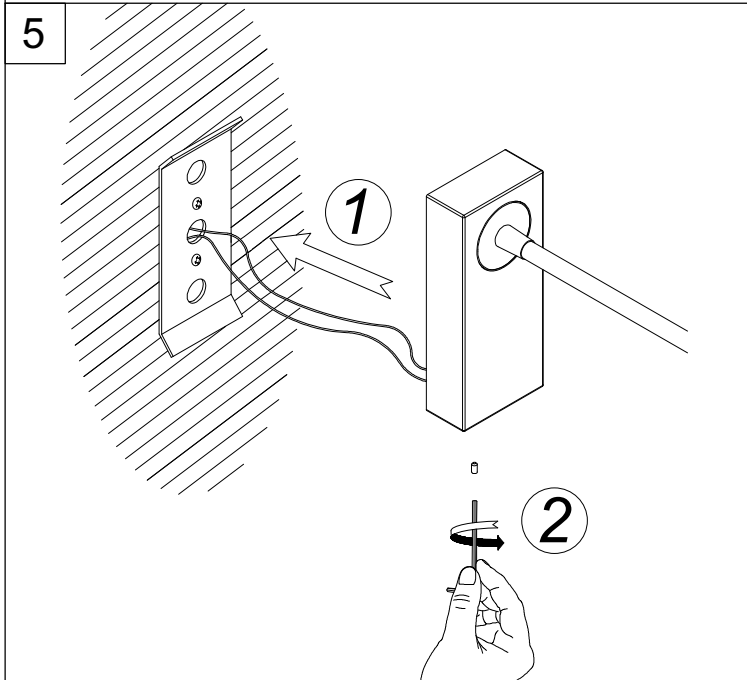
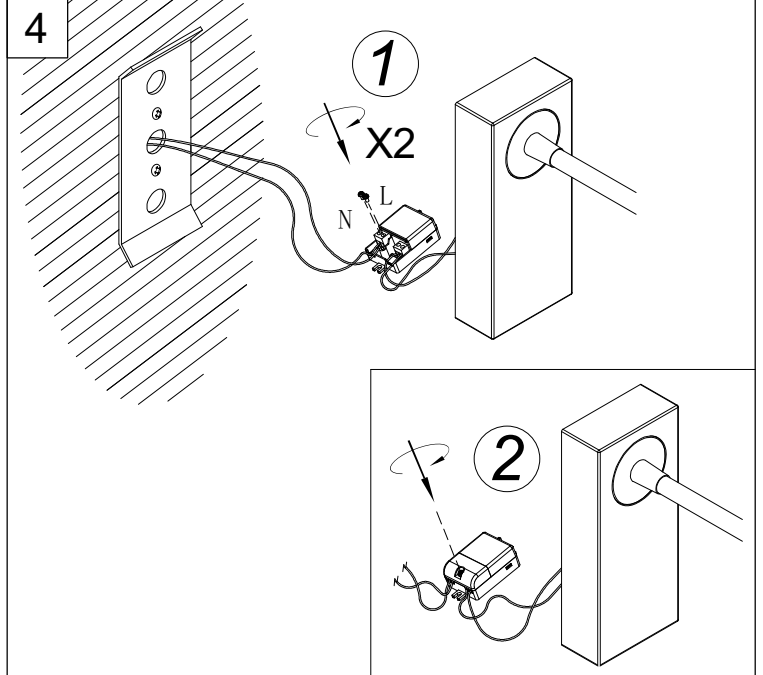
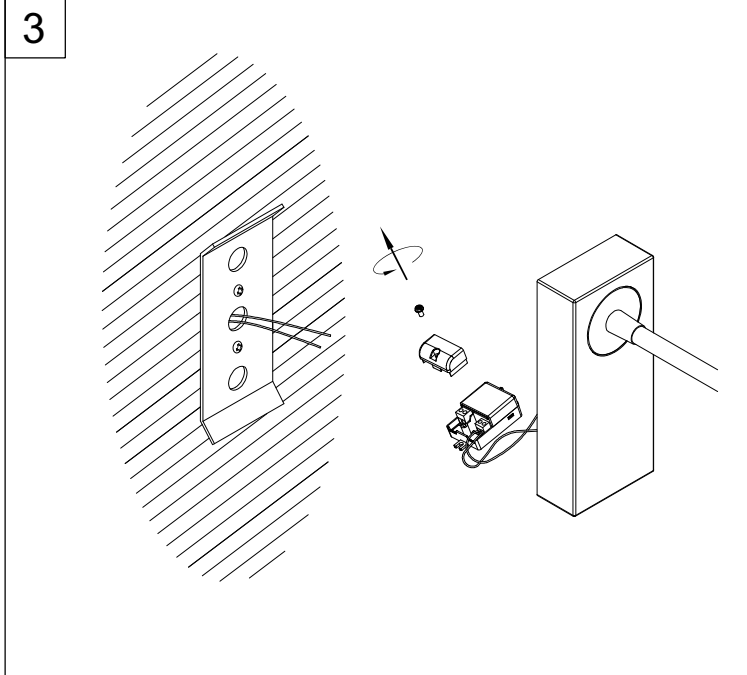
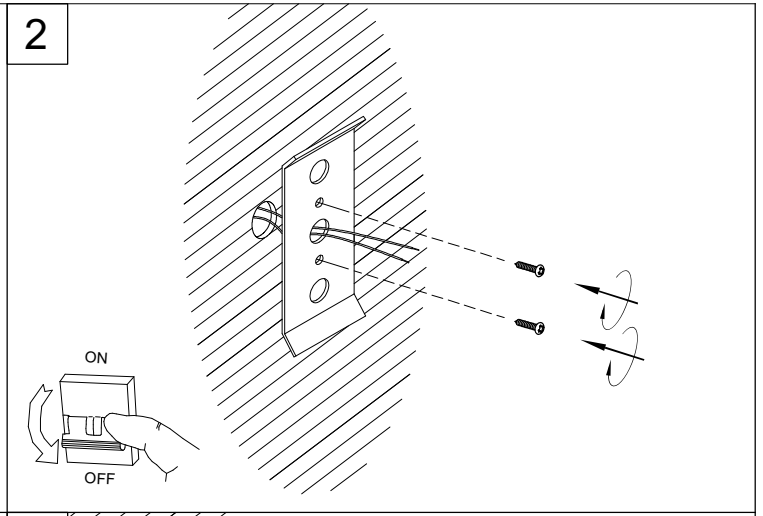
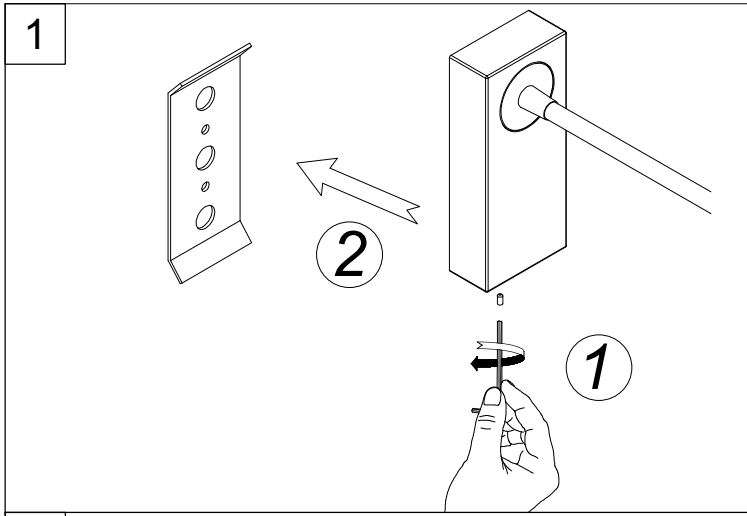
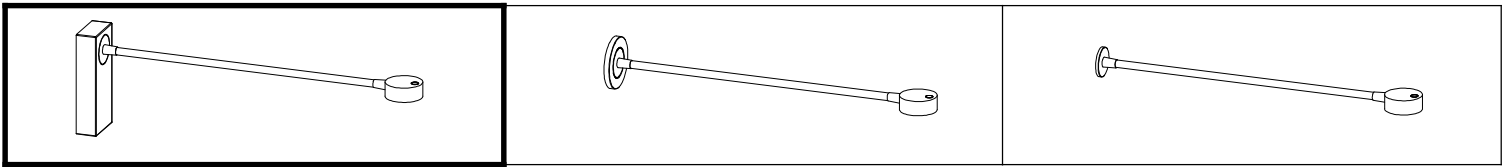
Total power consumption (W): 4 W
Lamp maximum dimension: 478/ mm

The photograph may not match the reference exactly. Please read the product description to identify the finish.



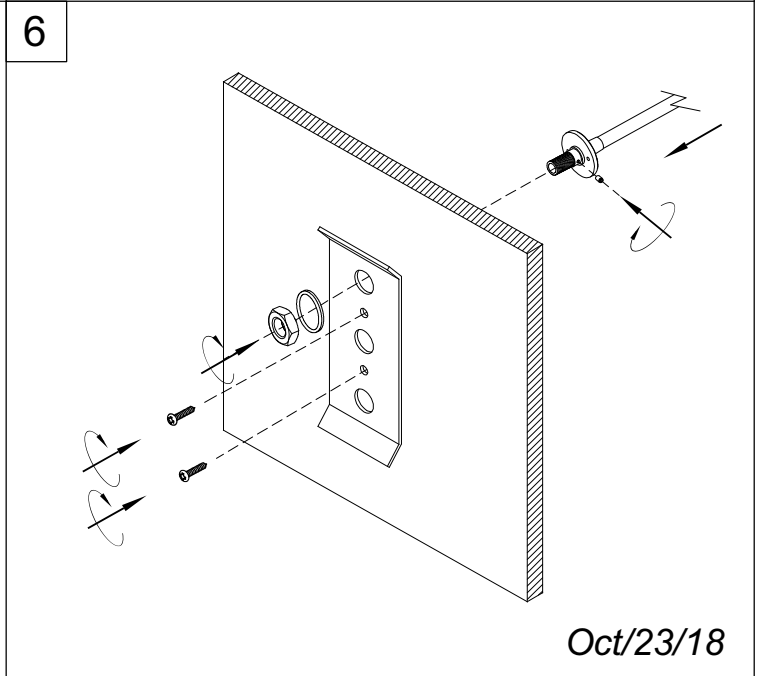
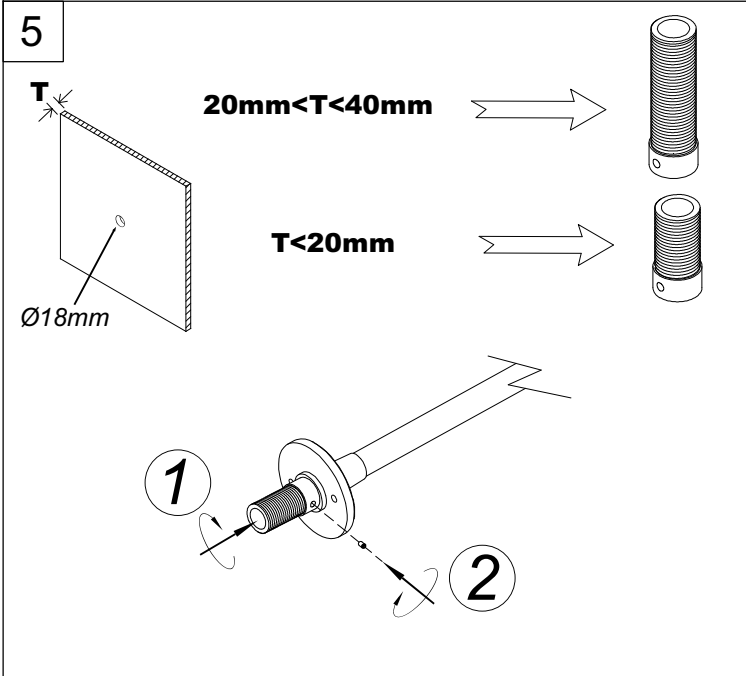
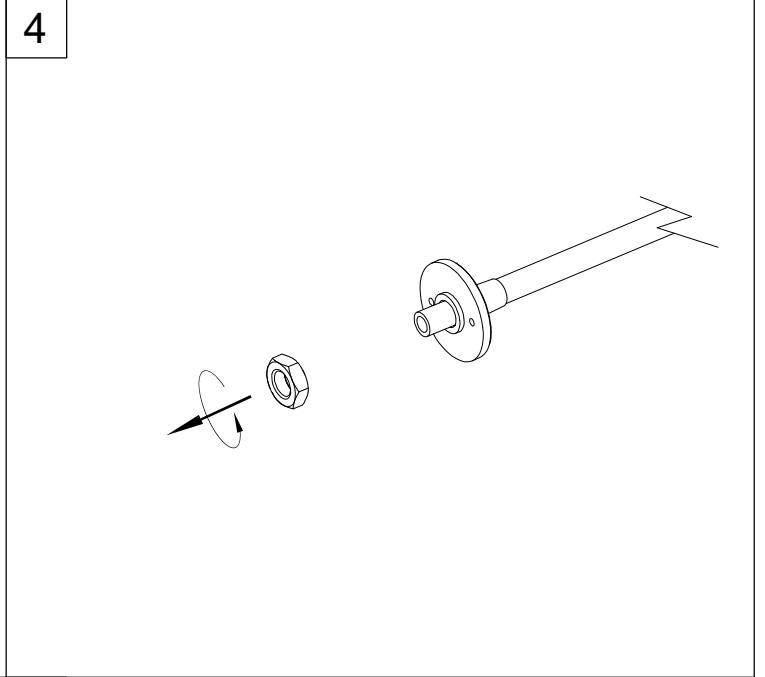
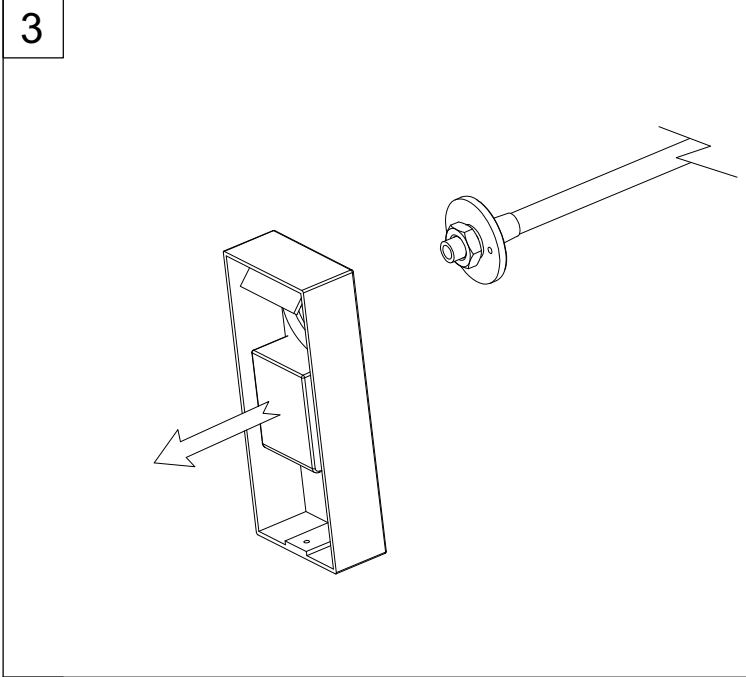
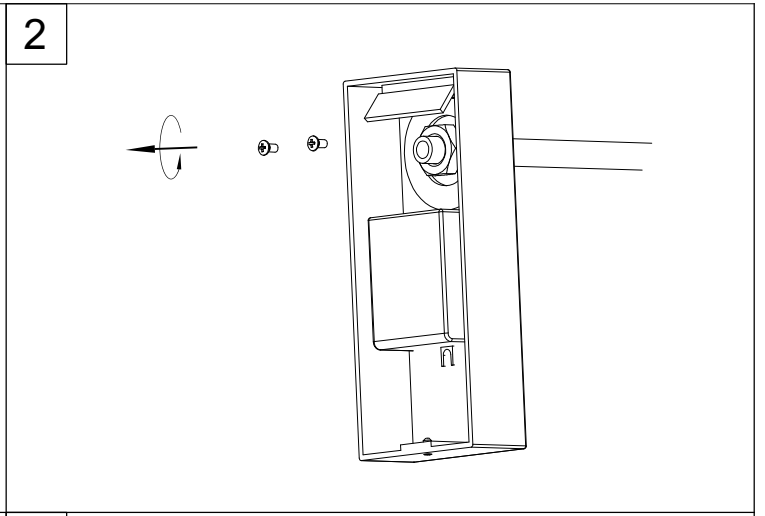
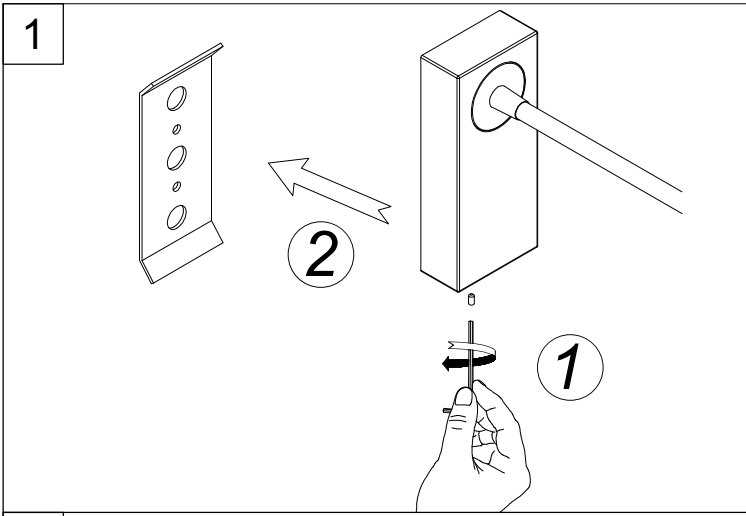
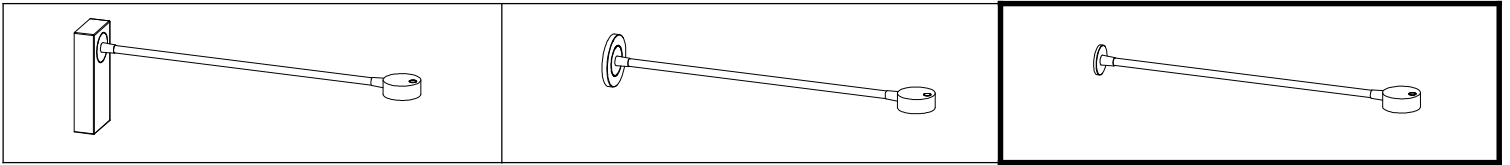
LEDS C4[®]

LINK / 05-7366/7368



LEDS C4[®]

LINK / 05-7366/7368



LEDS C4⁺

LINK / 05-7366/7368

