



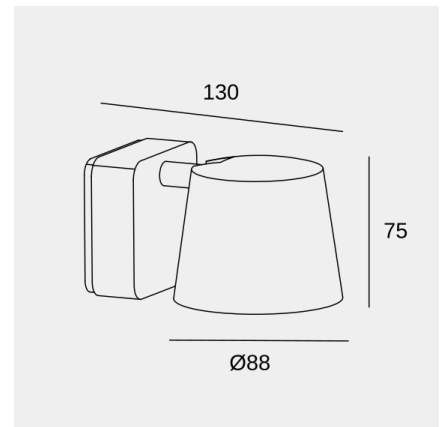
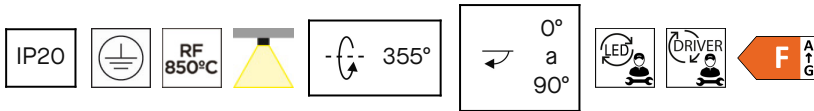
## Drone Single

Manel Llusçà

Wall fixture Drone Single LED 8.6 LED warm-white 2700K ON-OFF White 350lm

### Technical features

- Luminaire total power: 8.6W
- Real lumens: 350
- Real lm/W: 41
- Correlated Colour Temperature (CCT): LED warm-white 2700K
- Lens / reflector angle: FLOOD 95°
- UGR:  $\leq 22$
- Structure material: Aluminium
- Structure finish: White
- Diffuser material: Aluminium
- Diffuser finish: Chrome
- Driver Brand: HEP
- Voltage / frequency: 100-277V/50-60Hz
- Dimming protocol: ON-OFF
- Power Factor: 0.40
- Useful life: 50,000h L80B20
- Warranty: 5 años
- Easily recyclable luminaire



### Luminotechnic features

- CRI: 80
- MacAdam steps: 2
- Photobiological risk: RG1
- UGR crosswise: 20.3
- UGR lengthwise: 20.2

Lampholder	Quantity	Light source power (W)
LED	1	7W

Image may not match reference. LedsC4 reserves the right to amend any of the product's components. The data related to flux, power and colour temperature may be subject to changes made by the manufacturer.



## Drone Single

Manel Llusçà

Wall fixture Drone Single LED 8.6 LED warm-white 2700K ON-OFF White 350lm

### Light application



Image may not match reference. LedsC4 reserves the right to amend any of the product's components. The data related to flux, power and colour temperature may be subject to changes made by the manufacturer.