



Umbrella Ø600

WIS Design

Pendant Umbrella Ø600 E14 27 Gold 630lm

Technical features

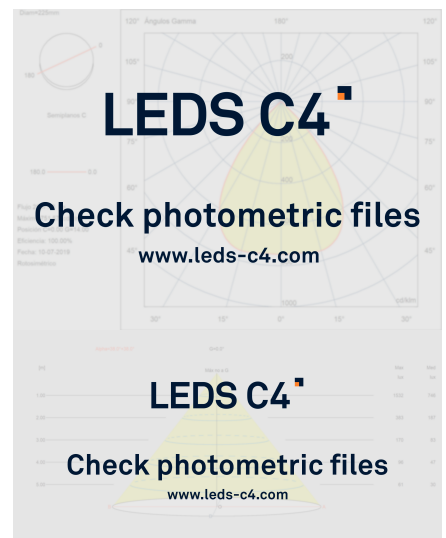
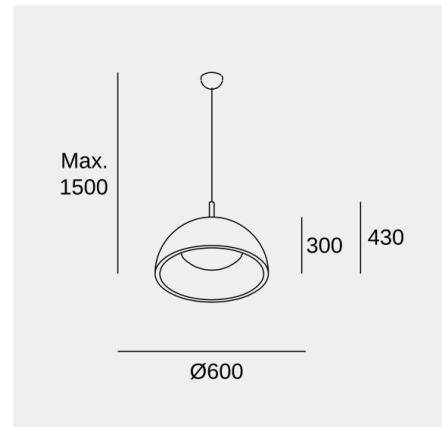
- Luminaire total power: 27W
- Lens / reflector angle: HORIZONTAL 105°
- Structure material: Steel, Methacrylate
- Structure finish: Gold
- Diffuser material: Glass, Textile
- Diffuser finish: Tinted, Gold
- Max. size of light bulb: 145/45 mm
- Recommended light bulb: E14
- Voltage / frequency: 100-240V/50-60Hz
- Warranty: 5 años



Luminotechnic features

- Luminance C0°G65°: 513
- Luminance C90°G65°: 467

Lampholder	Quantity	Light source power (W)
E14	3	Max. power 9W



Photometric test performed with a standard bulb

Image may not match reference. LedsC4 reserves the right to amend any of the product's components. The data related to flux, power and colour temperature may be subject to changes made by the manufacturer.



Umbrella Ø600

WIS Design

Pendant Umbrella Ø600 E14 27 Gold 630lm

Logistics



x 1

Net weight (kg): 4.2

Packaged weight (kg): 8.01

Packaging: 720mm x 700mm x
520mm

Light application



Image may not match reference. LedsC4 reserves the right to amend any of the product's components. The data related to flux, power and colour temperature may be subject to changes made by the manufacturer.